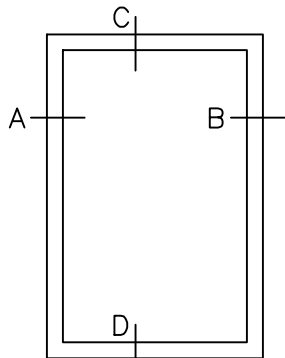


Typical Exterior Elevations

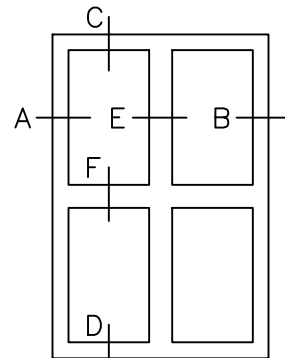
5500-FX SERIES

FIXED
Scale: Not To Scale

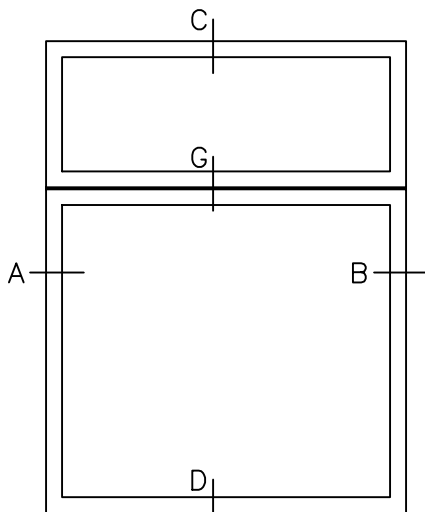
PAGE 1 OF 6



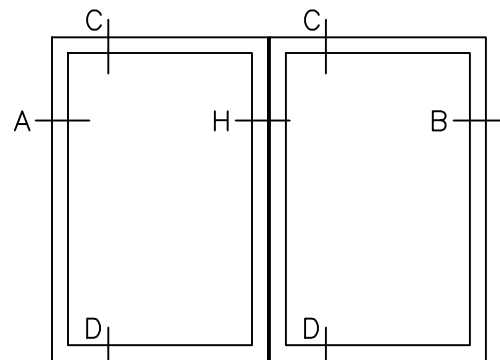
5500-11-FX



5500-22-FX



5500-12-FX/FX



5500-21-FX/FX

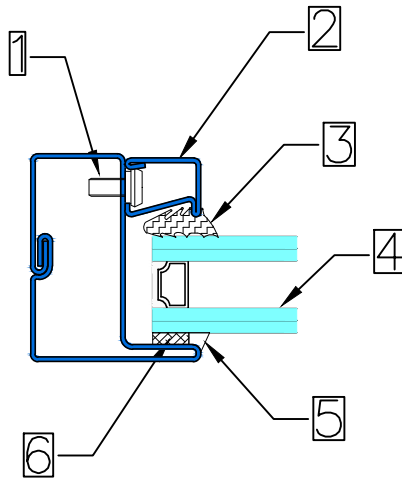


FIXED
Scale: Half Scale

PAGE 2 OF 6

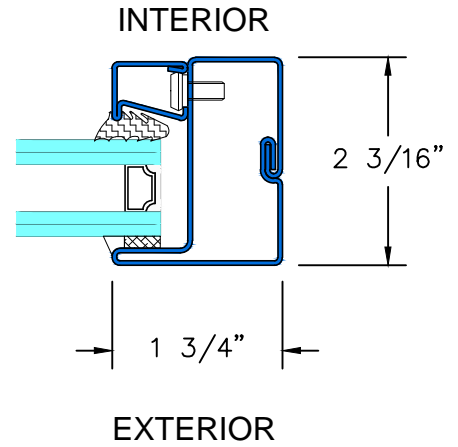
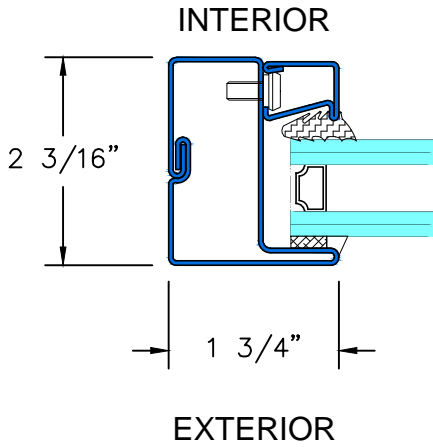
KEY (TYPICAL)

1. SNAP IN STEEL GLAZING BEAD
2. SNAP FASTENER
3. WEDGE GASKET
4. GLASS AND GLAZING (BY OTHERS)
5. SILICONE CAP BEAD (BY OTHERS)
6. GLAZING TAPE (BY OTHERS)



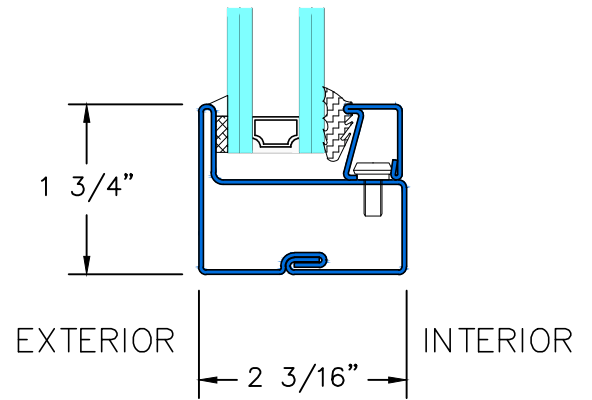
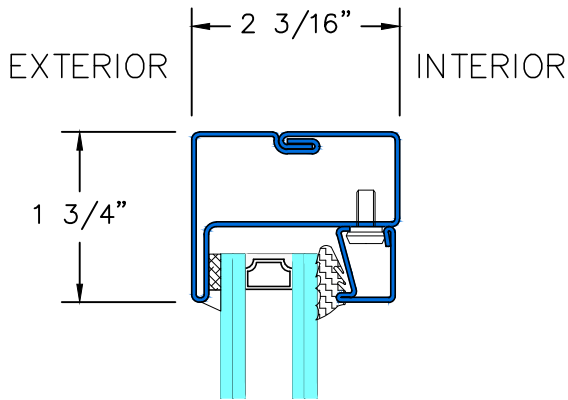
Typical Details

FIXED
Scale: Half Scale



A — TYPICAL JAMB

B — TYPICAL JAMB



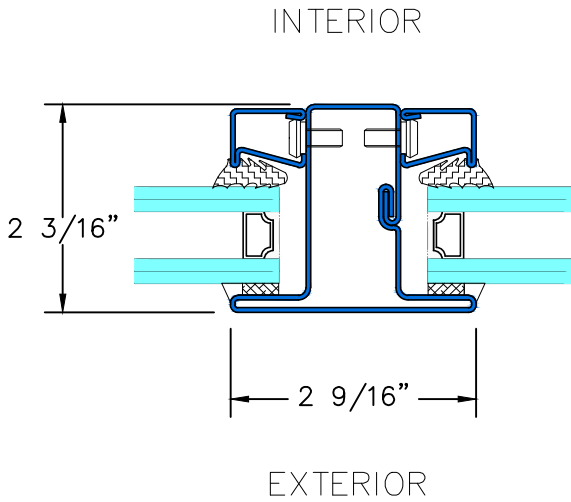
C — TYPICAL HEAD

D — TYPICAL SILL

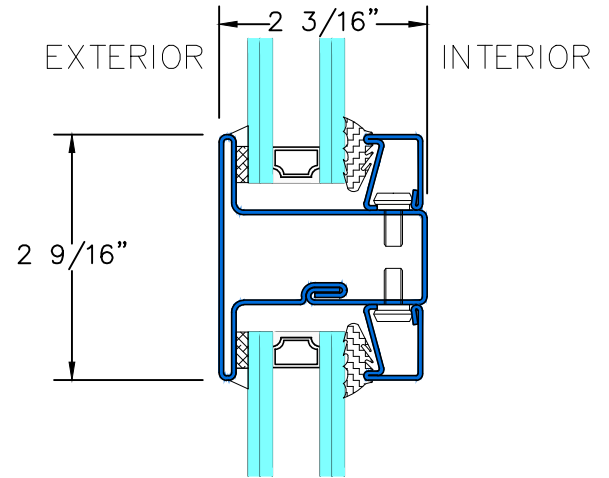


Typical Details

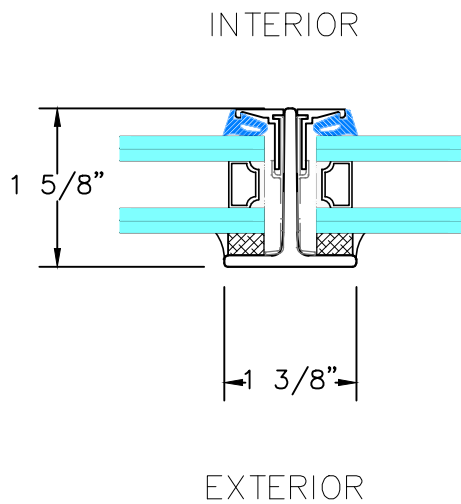
FIXED
Scale: Half Scale



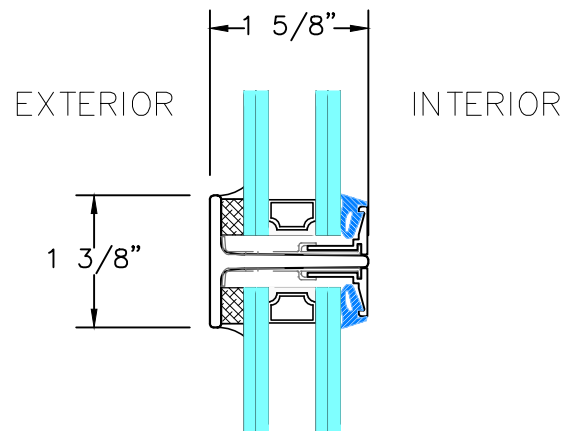
E TYPICAL VERTICAL MUNTIN



F TYPICAL HORIZONTAL MUNTIN



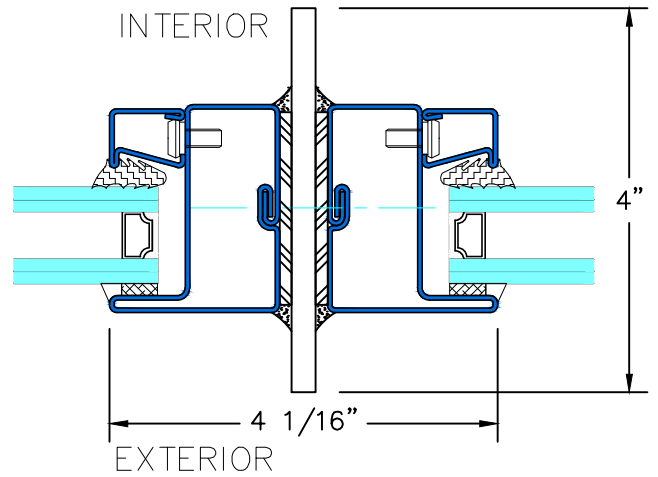
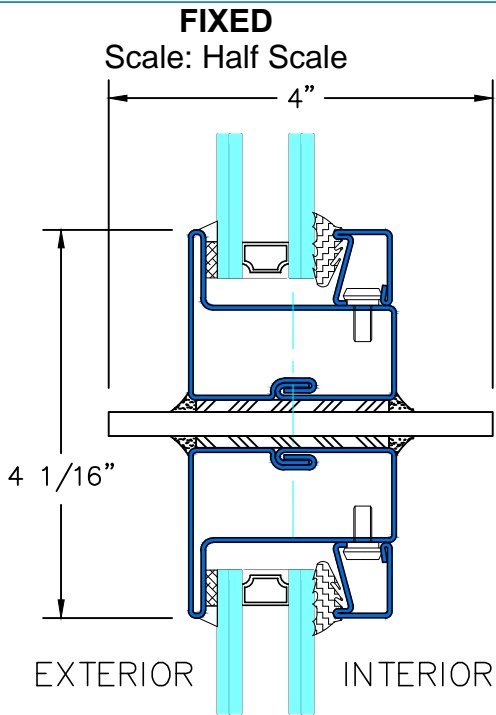
E TYPICAL HR VERTICAL MUNTIN



F TYPICAL HR HORIZONTAL MUNTIN



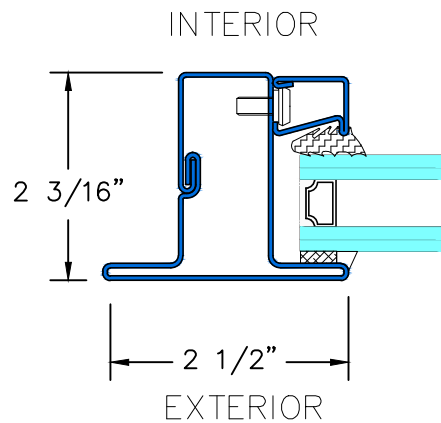
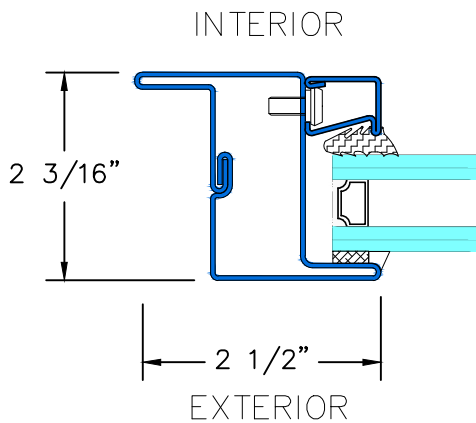
Typical Details



G TYPICAL STACKING MULLION

H TYPICAL JOINING MULLION

OPTIONAL FLANGE FRAME



1 TYPICAL JAMB INTERIOR FLANGE

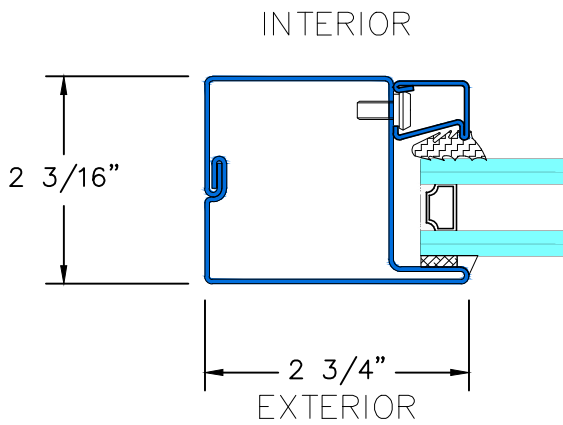
2 TYPICAL JAMB EXTERIOR FLANGE



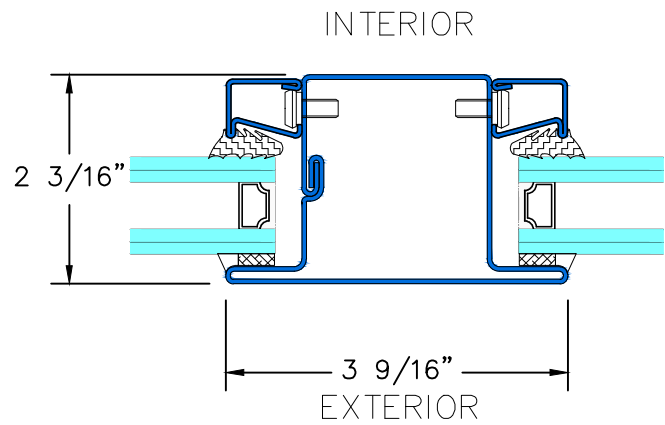
Typical Details

FIXED
Scale: Half Scale

OPTIONAL LARGE FRAME

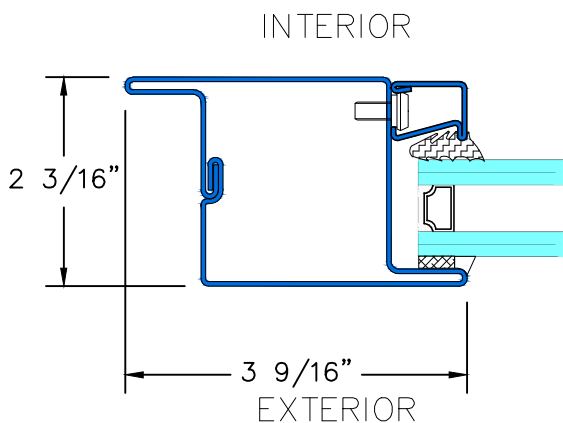


1 TYPICAL LARGE JAMB

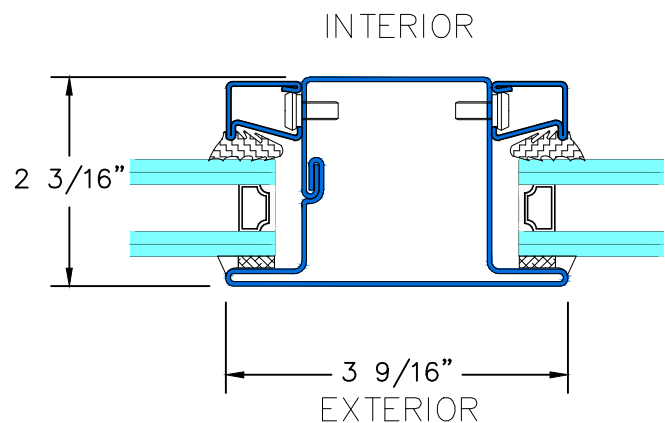


2 TYPICAL LARGE MUNTIN

OPTIONAL LARGE FLANGE FRAME



3 TYPICAL LARGE JAMB INTERIOR FLANGE



4 TYPICAL LARGE JAMB EXTERIOR FLANGE

