

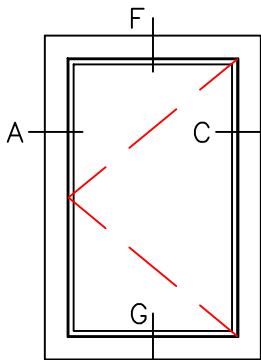
Typical Exterior Elevations

5500-IC SERIES

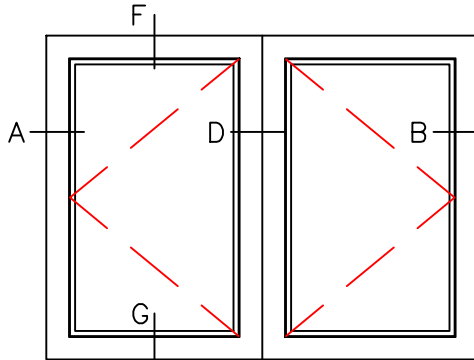
INSWING CASEMENTS / FIXED

Scale: Not To Scale

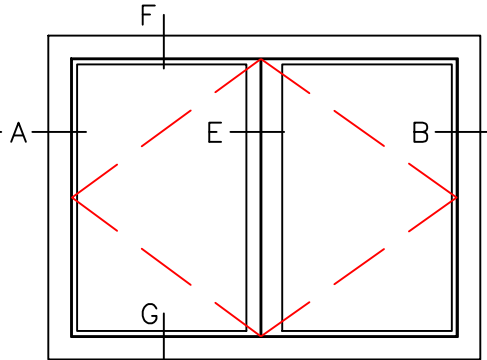
PAGE 1 OF 6



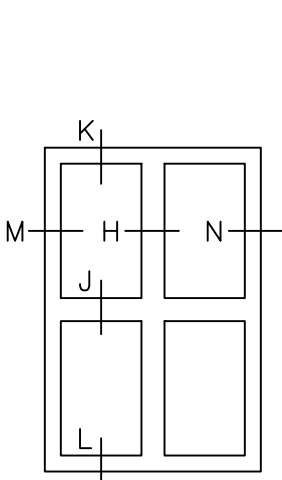
5500_11_IC



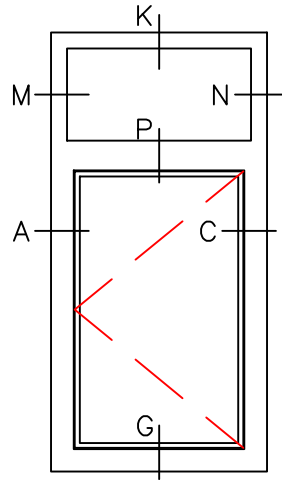
5500_21_DB_IC



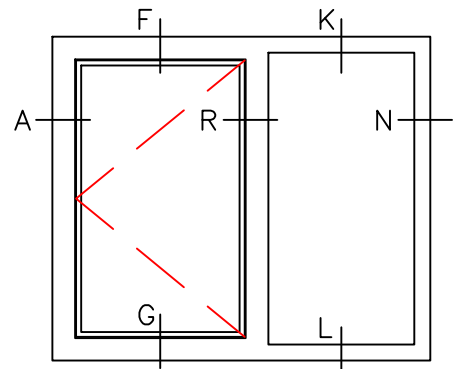
5500_21_FR_IC



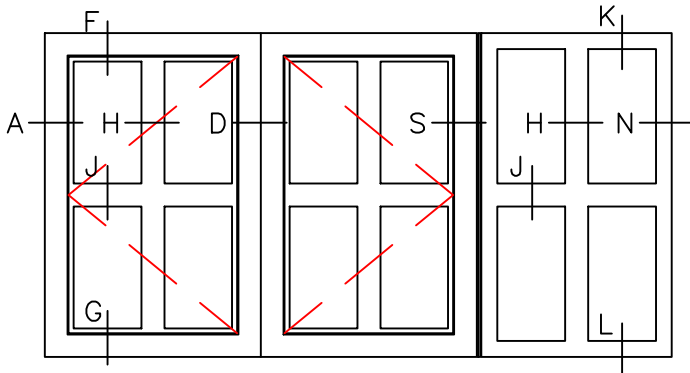
5500_22_FX



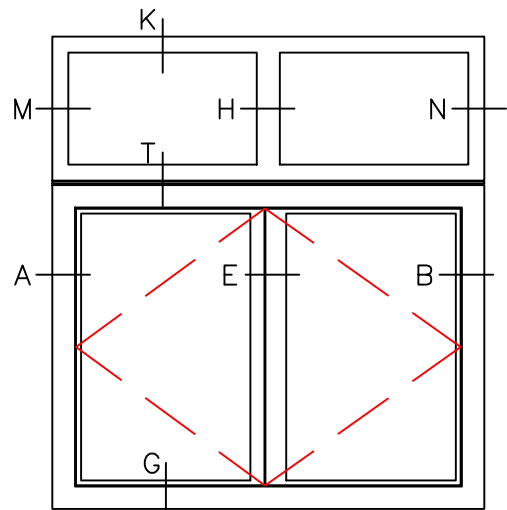
5500_12_IC_FX



5500_21_IC_FX



5500_62_DB_IC_FX

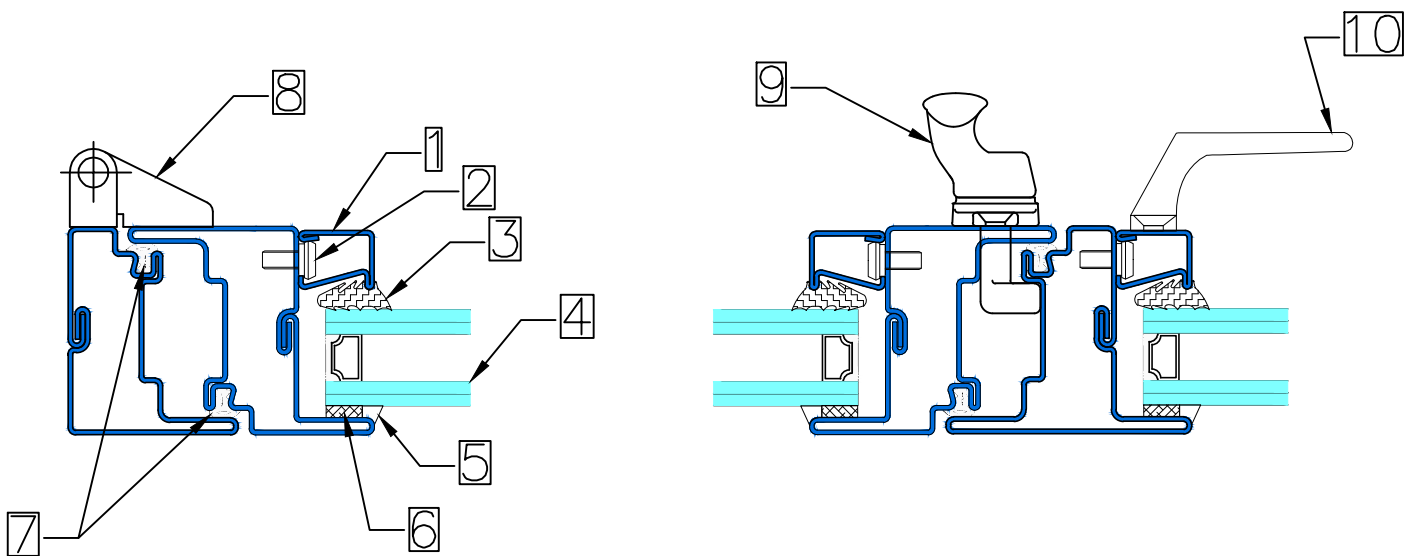


5500_22_FR_IC_FX



KEY (TYPICAL)

1. SNAP IN STEEL GLAZING BEAD
2. SNAP FASTENER
3. WEDGE GASKET
4. GLASS AND GLAZING (BY OTHERS)
5. SILICONE CAP BEAD (BY OTHERS)
6. GLAZING TAPE (BY OTHERS)
7. WEATHER STRIPPING (EXTRUDED EPM)
8. STEEL FLEX HINGE
9. WHITE BRONZE PROJECT IN FASTENER WITH KEEPER
- *NOTE: BRONZE HARDWARE IS OWM'S STANDARD
OTHER FINISHES AVAILABLE
10. BRONZE T-PULL (LOCATED 4" BELOW FASTENER)

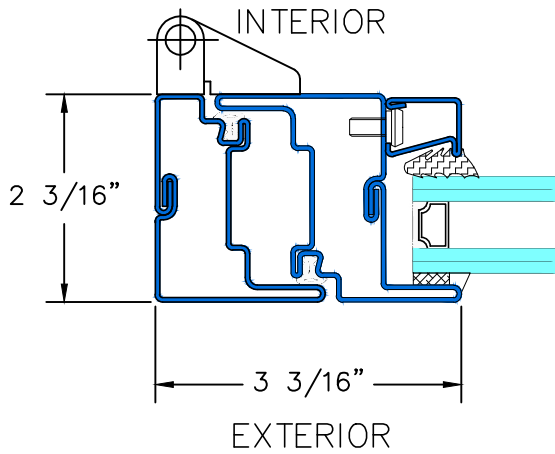


Typical Details

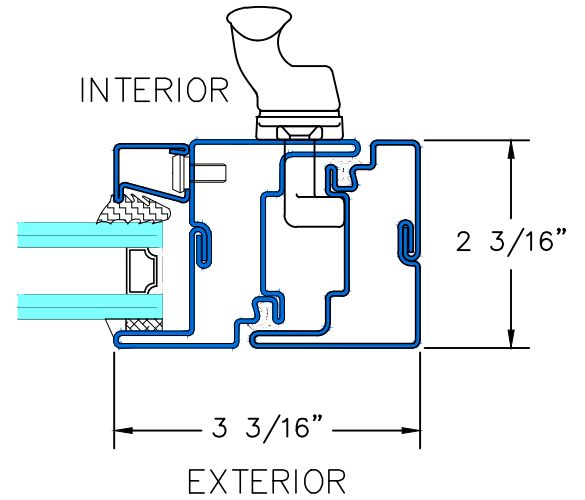
5500-IC SERIES

INSWING CASEMENTS / FIXED
Scale: Half Scale

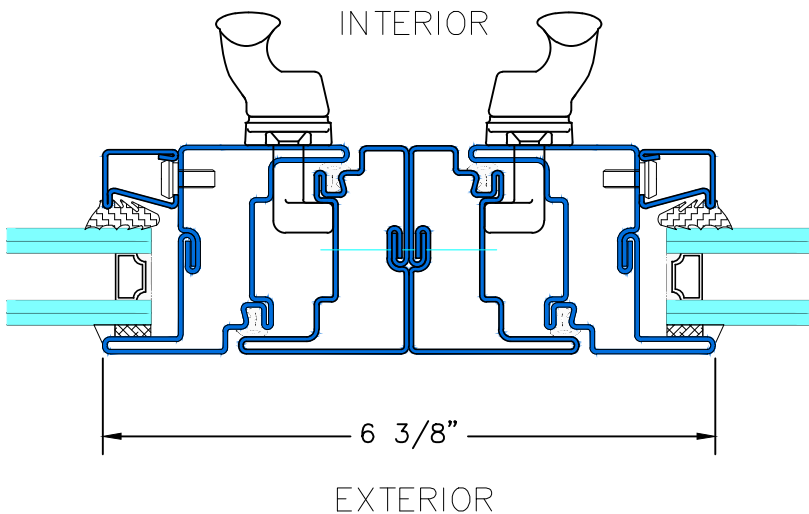
PAGE 3 OF 6



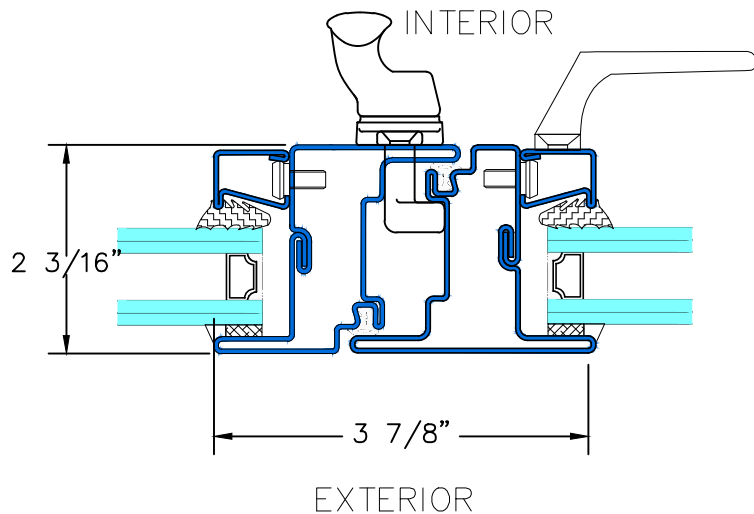
A&B **TYPICAL HINGED JAMB**



C **TYPICAL LOCKING JAMB**



D **TYPICAL MEETING RAIL**



E **TYPICAL FRENCH MEETING RAIL**

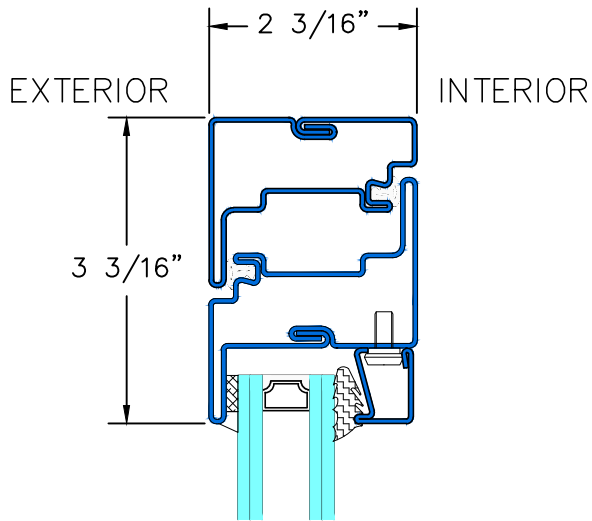


Typical Details

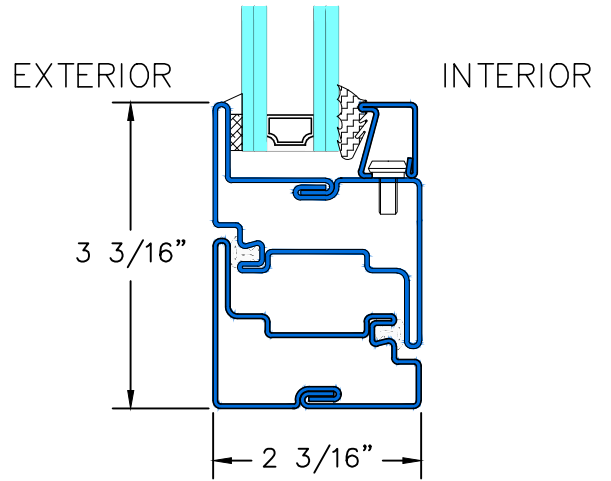
5500-IC SERIES

INSWING CASEMENTS / FIXED
Scale: Half Scale

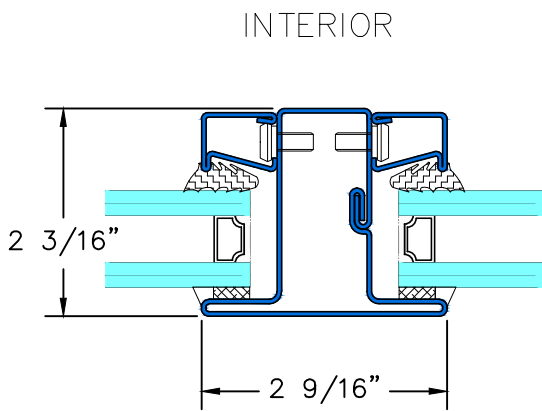
PAGE 4 OF 6



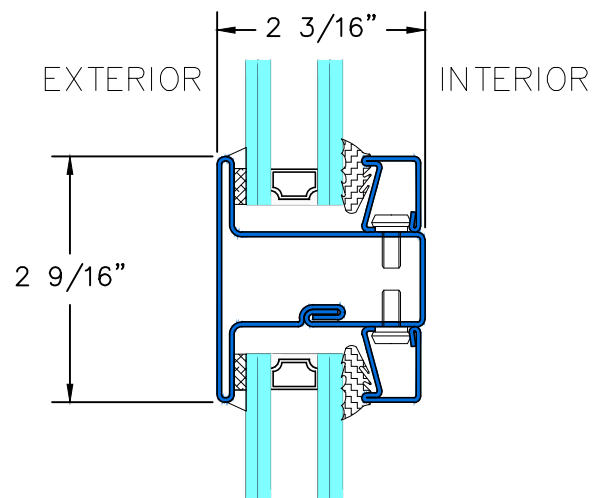
F TYPICAL HEAD



G TYPICAL SILL



H TYPICAL VERTICAL MUNTIN



J TYPICAL HORIZONTAL MUNTIN

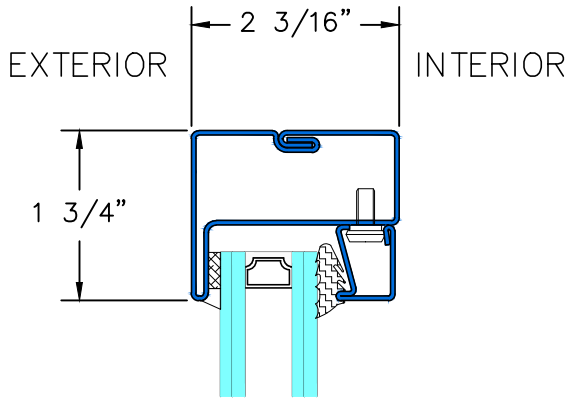


Typical Details

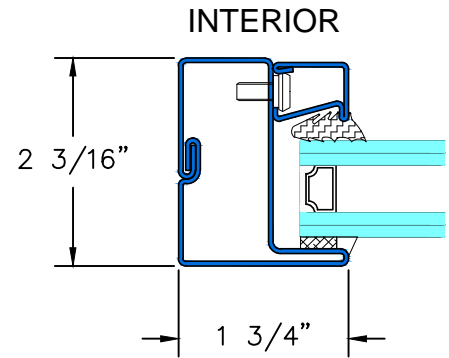
5500-IC SERIES

INSWING CASEMENTS / FIXED
Scale: Half Scale

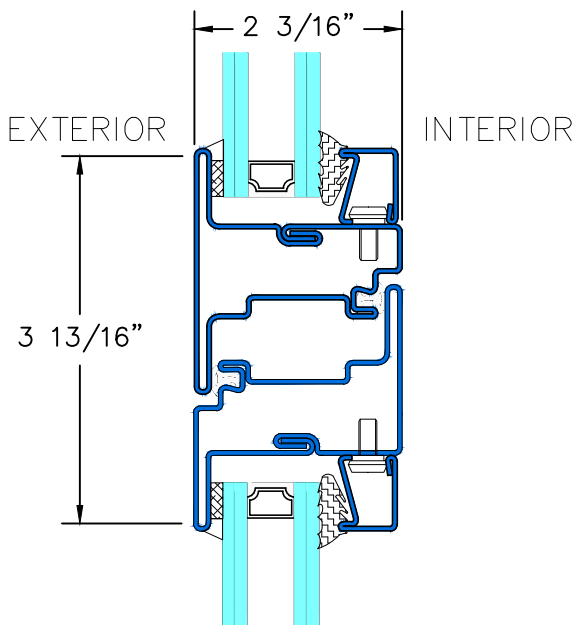
PAGE 5 OF 6



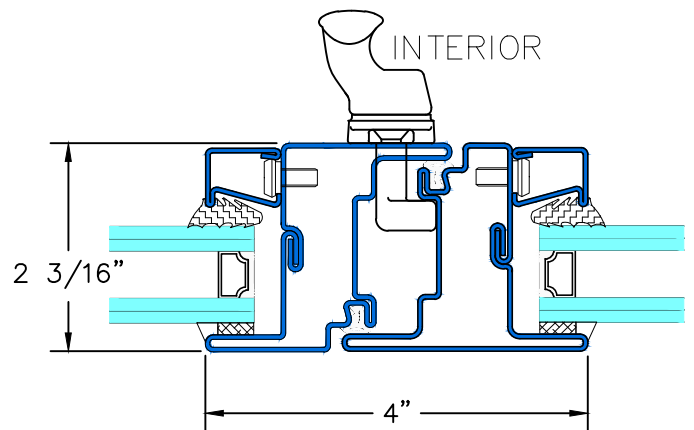
K&L TYPICAL FIXED HEAD & SILL



M&N TYPICAL FIXED JAMB



P TYPICAL HEAD W/ TRANSOM



R TYPICAL JAMB W/ SIDELITE

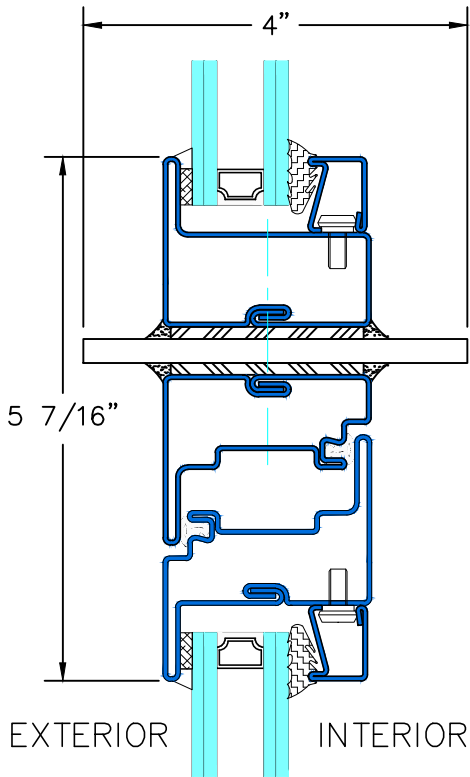


Typical Details

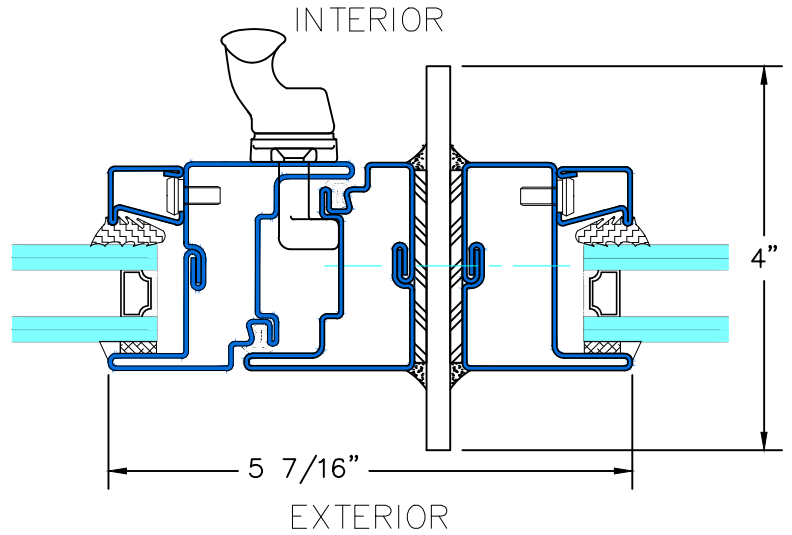
5500-IC SERIES

INSWING CASEMENTS / FIXED

Scale: Half Scale

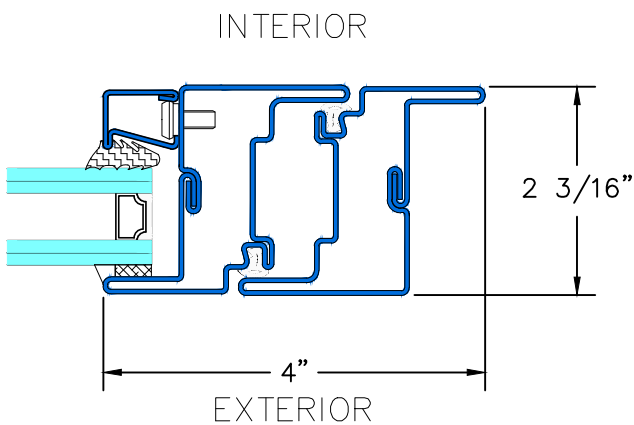


S TYPICAL STACKING MULLION

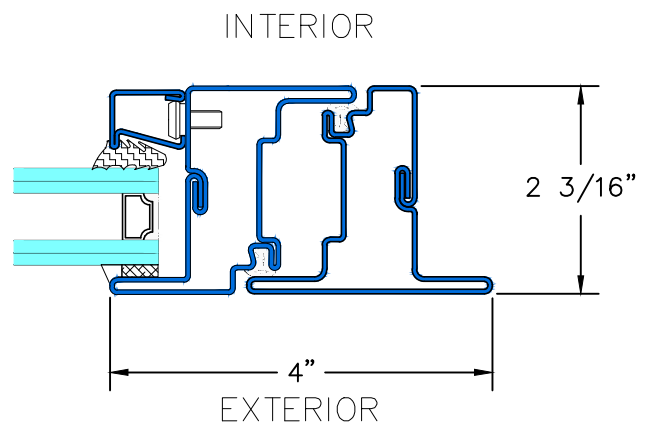


T TYPICAL JOINING MULLION

OPTIONAL FLANGE FRAME



1 TYPICAL JAMB INTERIOR FLANGE



2 TYPICAL JAMB EXTERIOR FLANGE

