

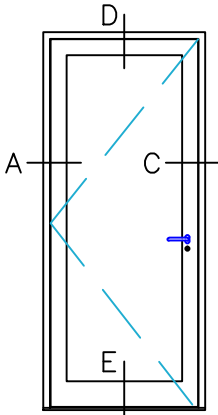
Typical Exterior Elevations

5500-OD SERIES

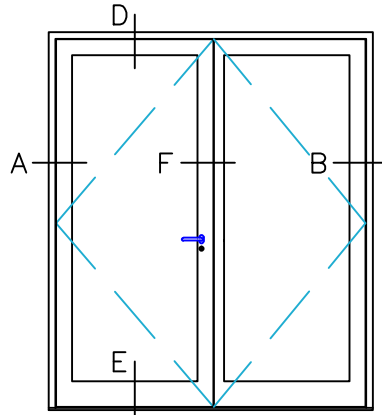
OUTSWING DOORS / FIXED

Scale: Not To Scale

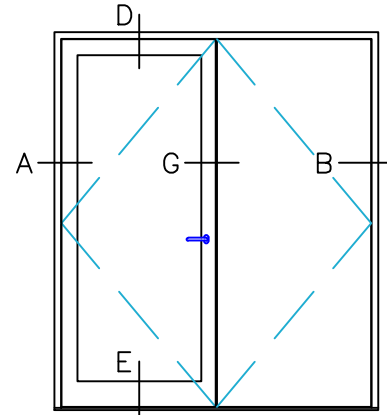
PAGE 1 OF 7



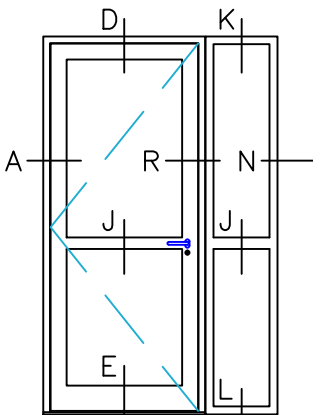
5500_11_OD



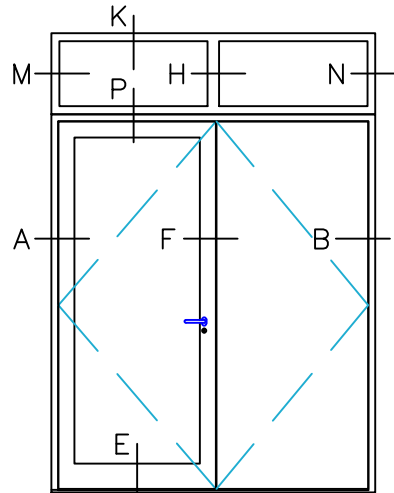
5500_21_FR_OD



5500_21_DB_OD

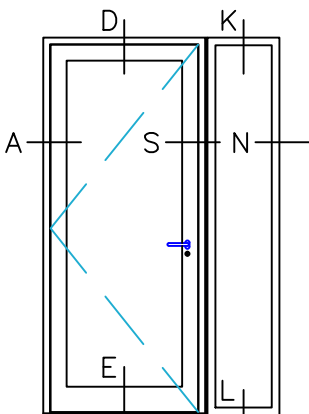


5500_22_OD_FX

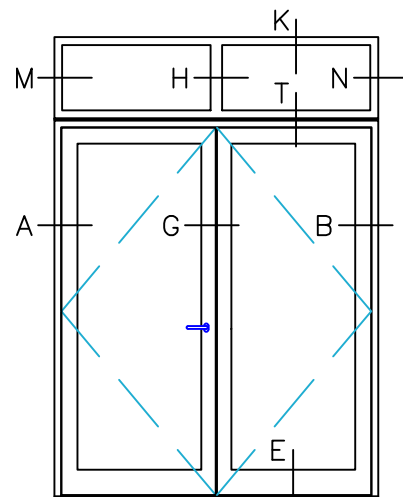


5500_22_FR_OD_FX

*LEVER HANDLE ON
PRIMARY VENT ONLY
* PUSH/PULL ARMS TO
BE SELECTED BY
OTHERS



5500_21_OD_FX



5500_22_DB_OD_FX



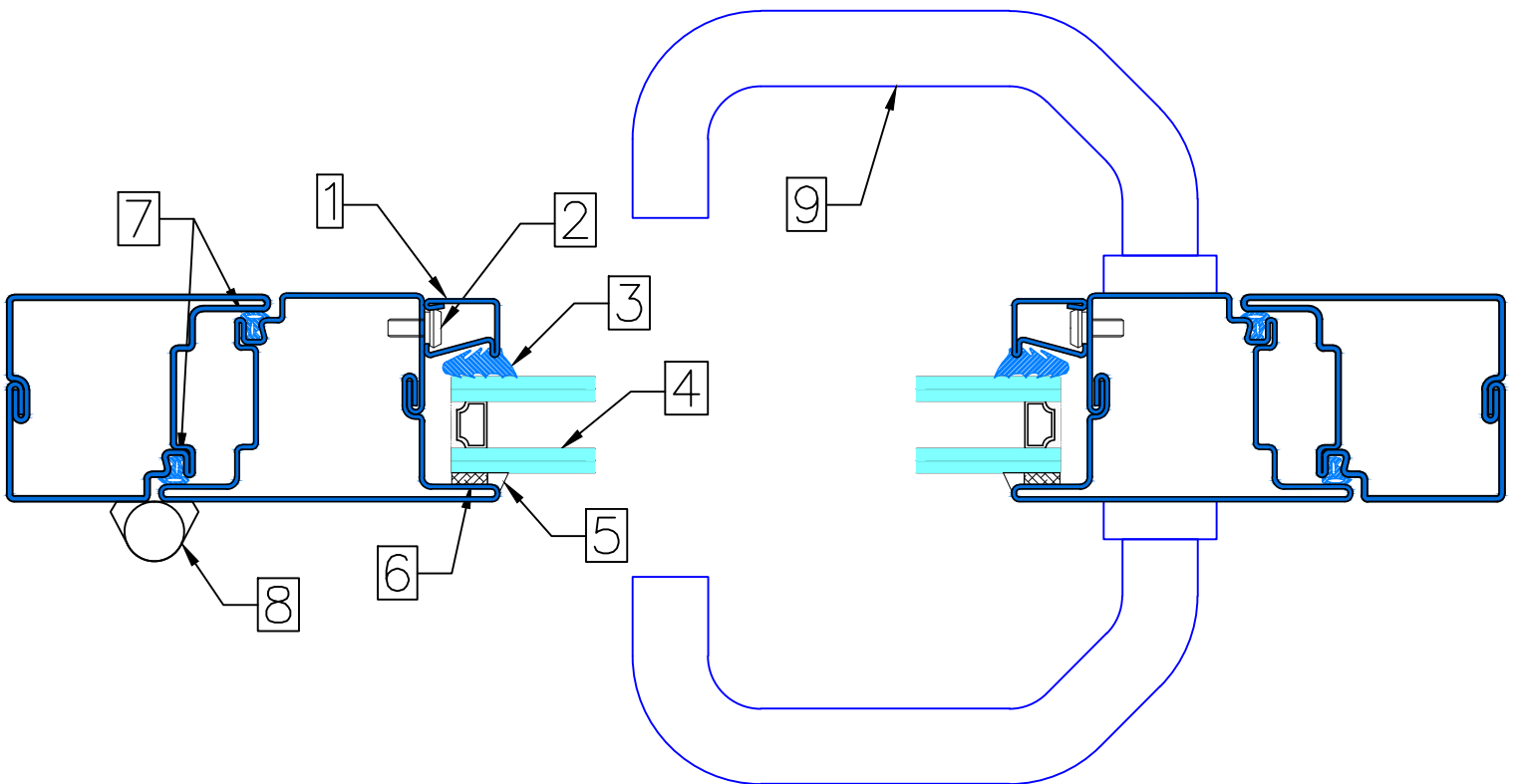
OUTSWING DOORS / FIXED

Scale: Half Scale

PAGE 2 OF 7

KEY (TYPICAL)

1. Snap in steel glazing bead
2. Snap fastener
3. Extruded EPDM wedge gasket (by OWM)
4. Glass and glazing (by others)
5. Silicone cap bead (by others)
6. Glazing tape
7. Weather stripping
8. Steel flex hinge
9. Stainless steel flex handle

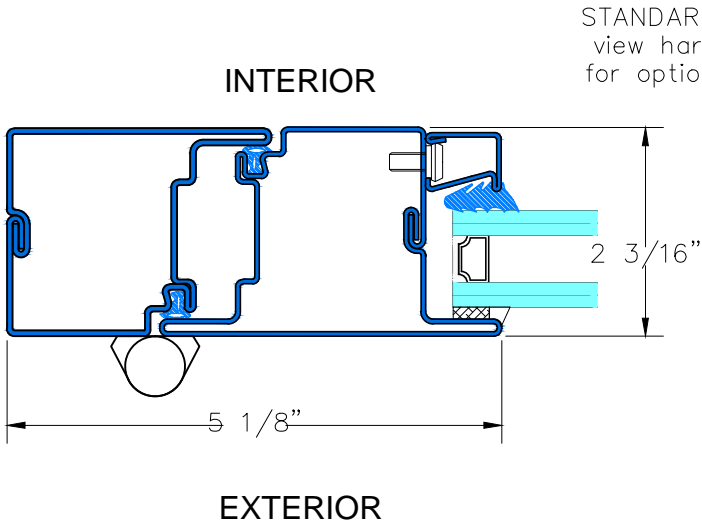


28 Canal Street, Ellenville, NY 12428

Phone (845) 647-1900

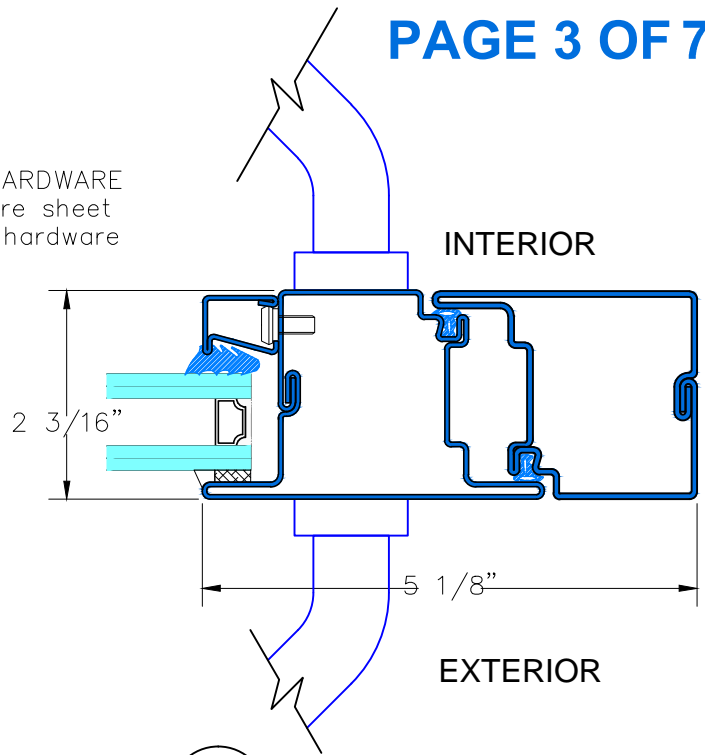
Typical Details

OUTSWING DOORS / FIXED
Scale: Half Scale

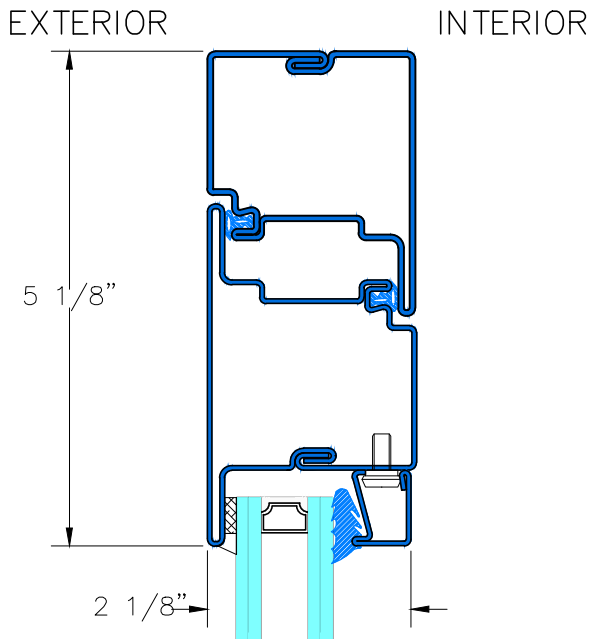


A&B TYPICAL HINGED JAMB

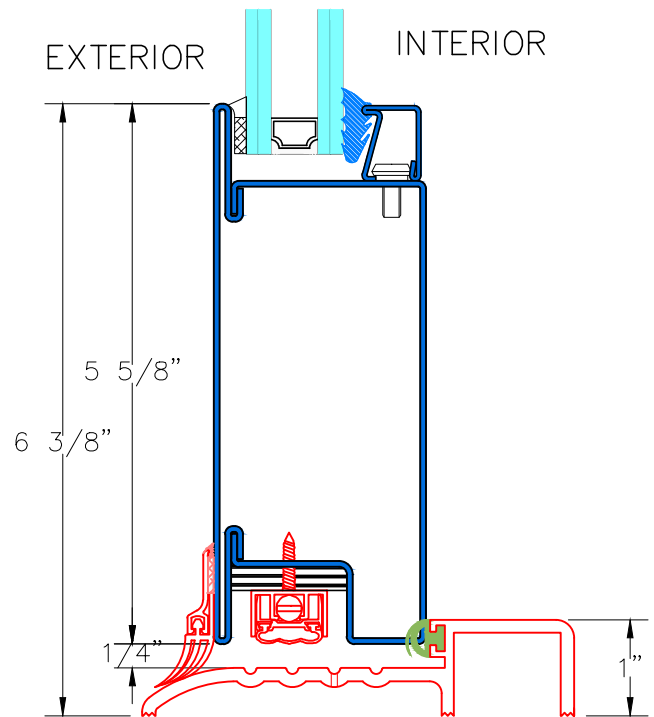
STANDARD HARDWARE
view hardware sheet
for optional hardware



C TYPICAL LOCKING JAMB



D TYPICAL HEAD

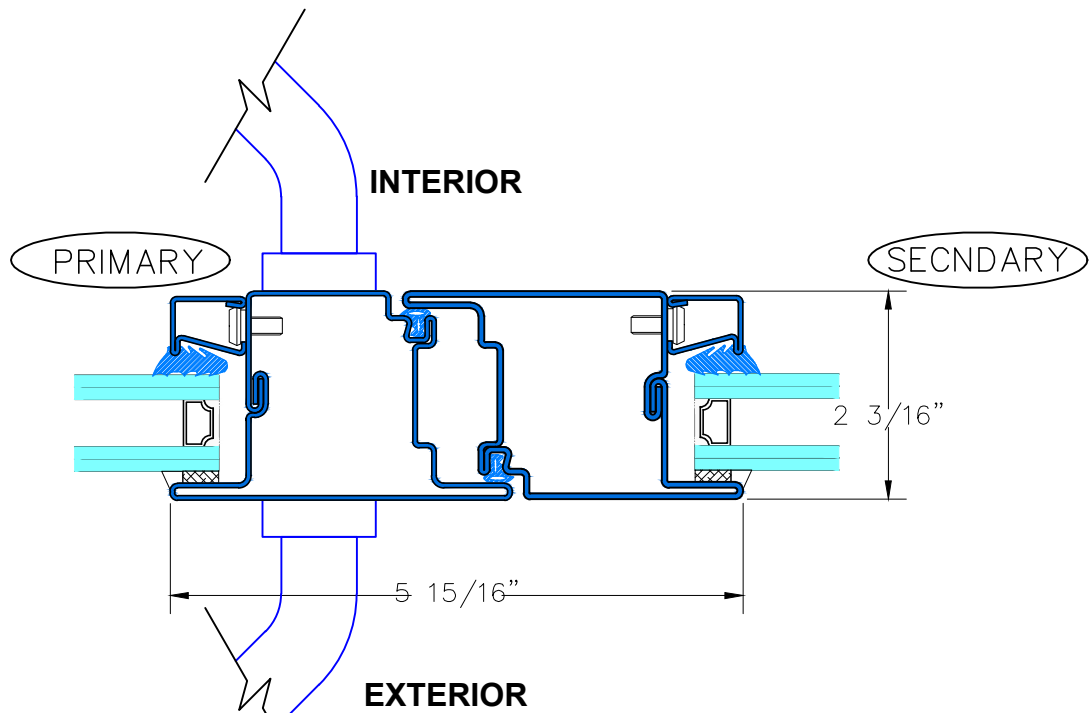


E TYPICAL KICKPLATE

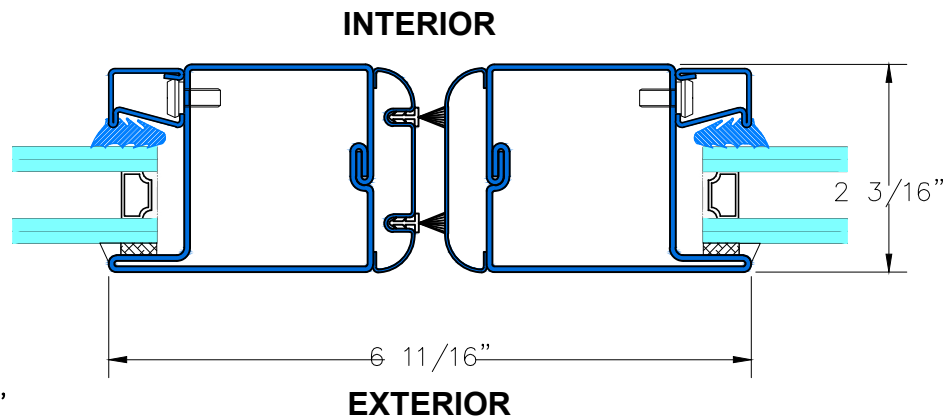


Typical Details

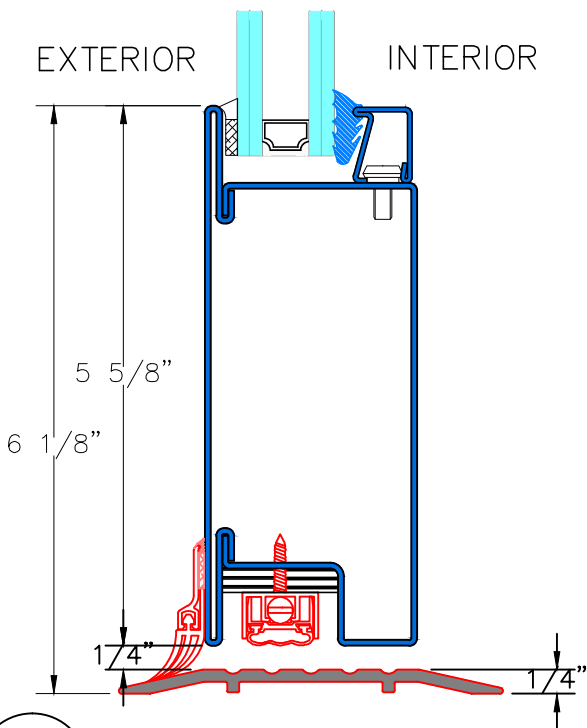
OUTSWING DOORS / FIXED
Scale: Half Scale



F TYPICAL FRENCH MEETING RAIL



G TYPICAL DOUBLE MEETING RAIL

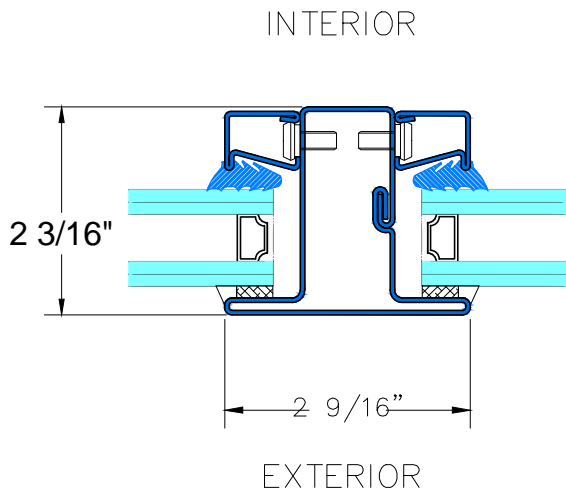


E1 TYPICAL COMMERCIAL KICKPLATE AND SADDLE

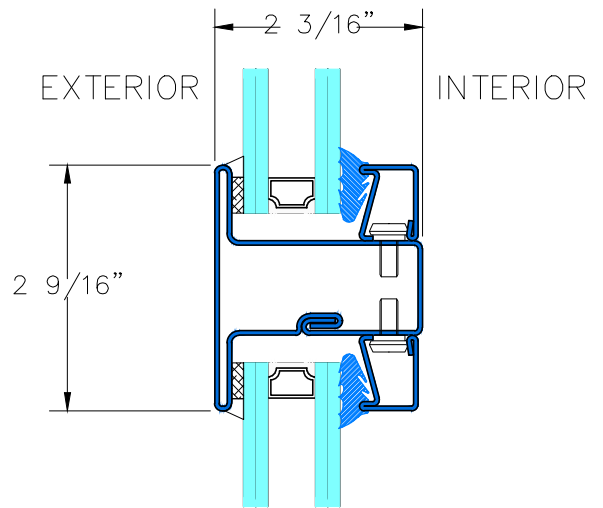


Typical Details

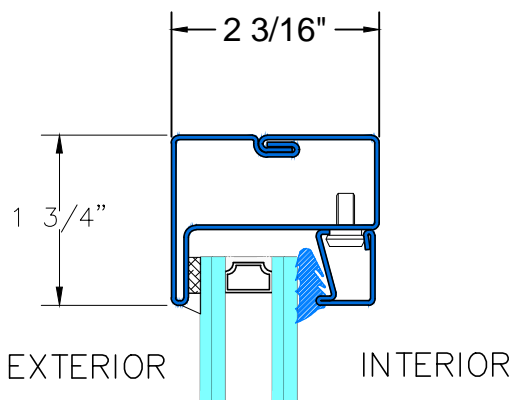
OUTSWING DOORS / FIXED
Scale: Half Scale



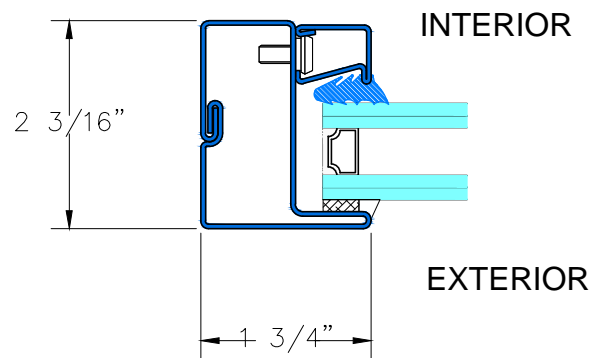
H TYPICAL VERTICAL MUNTIN



J TYPICAL HORIZONTAL MUNTIN



K&L TYPICAL FIXED HEAD & SILL

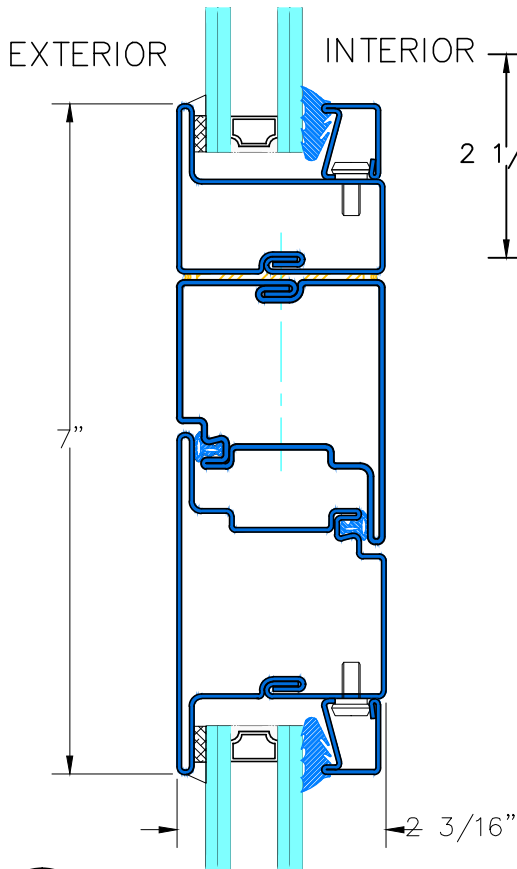


M&N TYPICAL FIXED JAMB

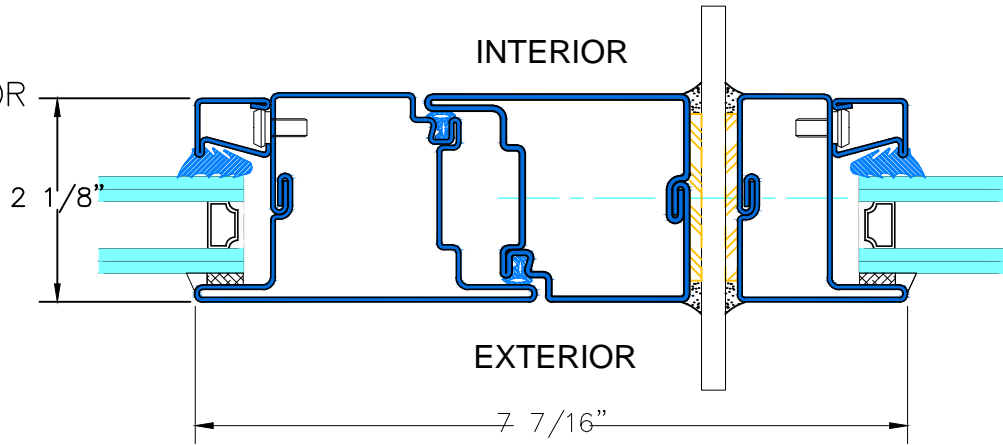


Typical Details

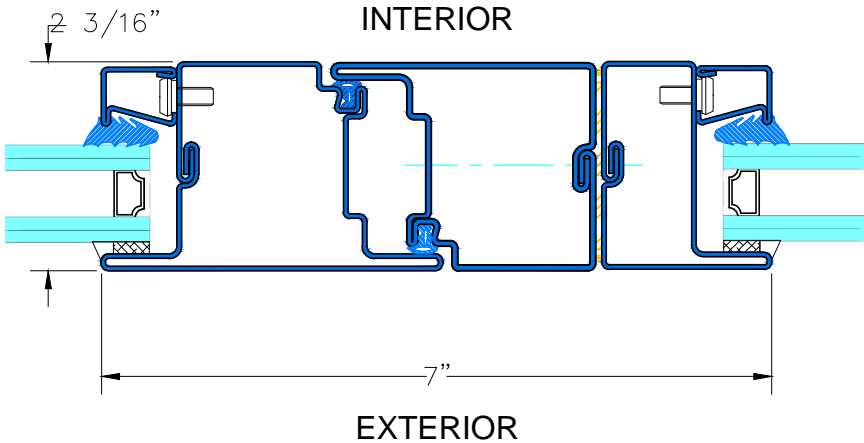
OUTSWING DOORS / FIXED
Scale: Half Scale



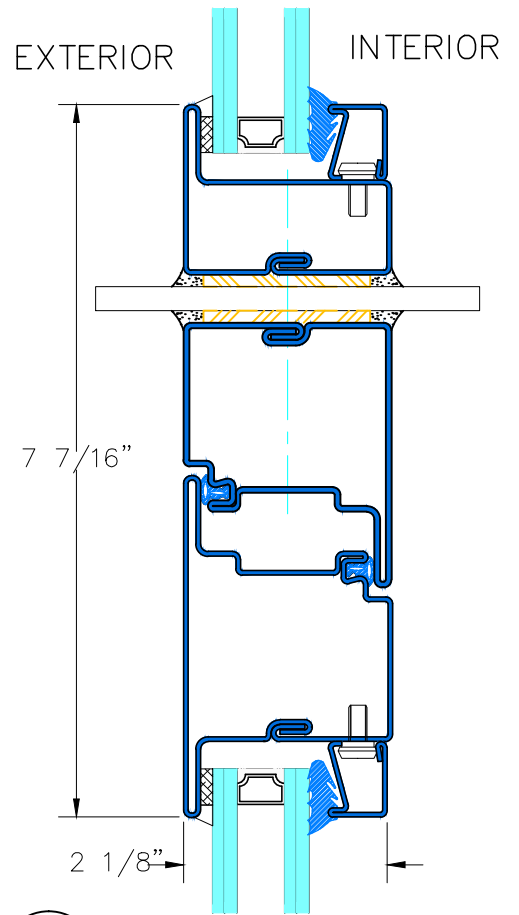
P TYPICAL STACKING TRANSOM



S TYPICAL JOINING MULLION



R TYPICAL JOINING SIDELITE



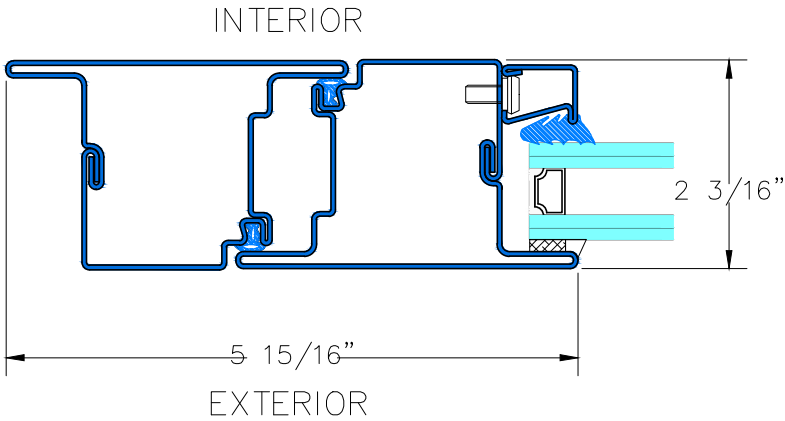
T TYPICAL STACKING MULLION



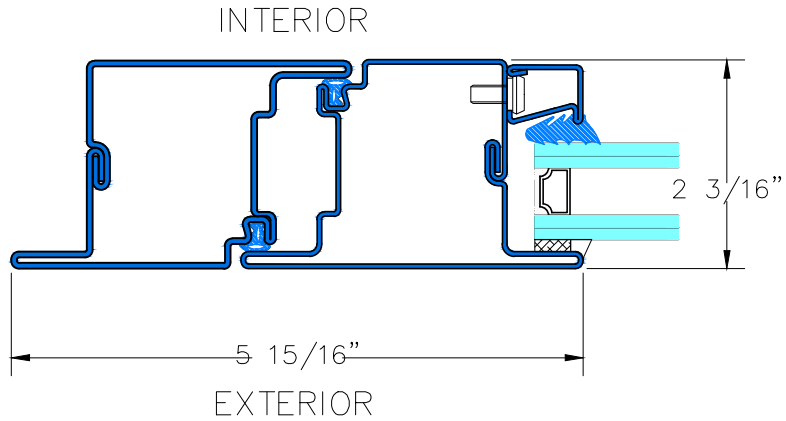
Typical Details

OUTSWING DOORS / FIXED
Scale: Half Scale

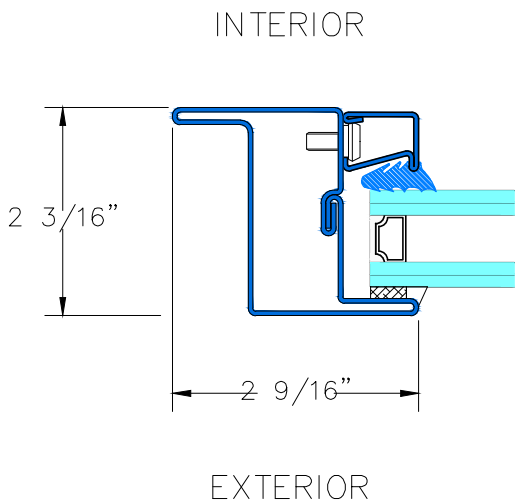
OPTIONAL FLANGE FRAME



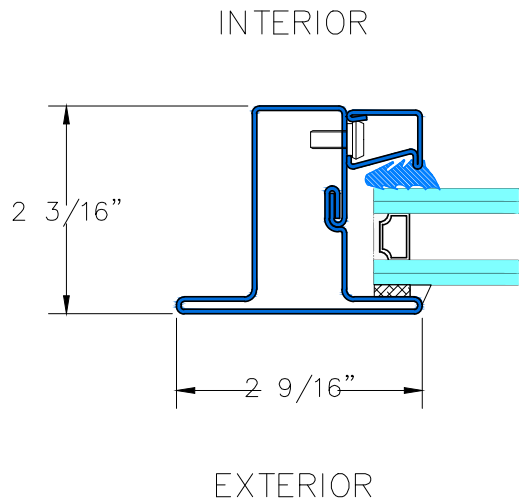
1 TYPICAL JAMB
INTERIOR FLANGE



2 TYPICAL JAMB
EXTERIOR FLANGE



3 TYPICAL FIXED
INTERIOR FLANGE



4 TYPICAL FIXED
EXTERIOR FLANGE

