

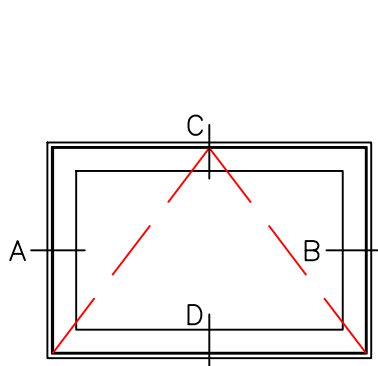
Typical Exterior Elevations

5500-PO SERIES

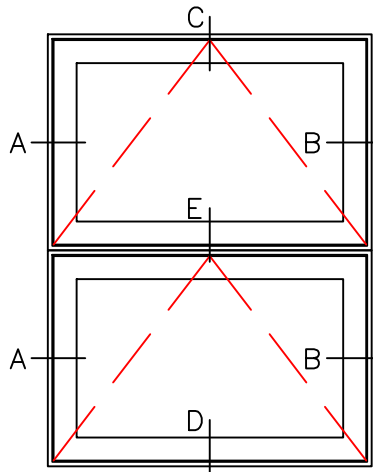
PROJECT OUT / FIXED

Scale: Not To Scale

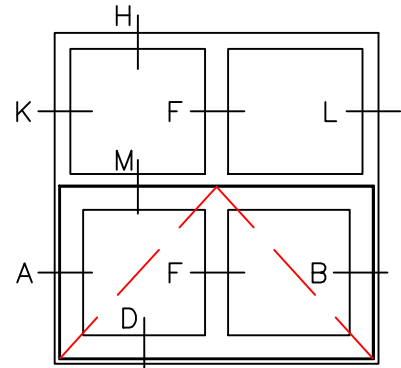
PAGE 1 OF 6



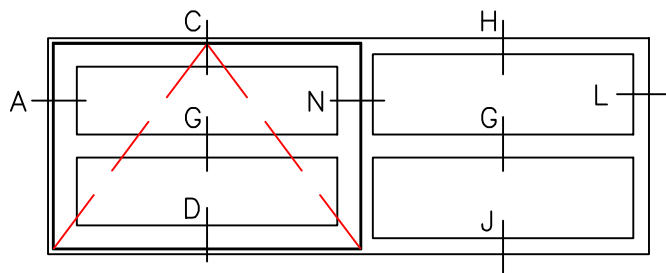
5500_11_PO



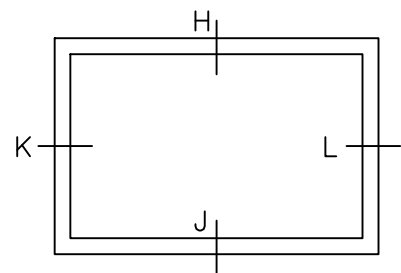
5500_12_PO_PO



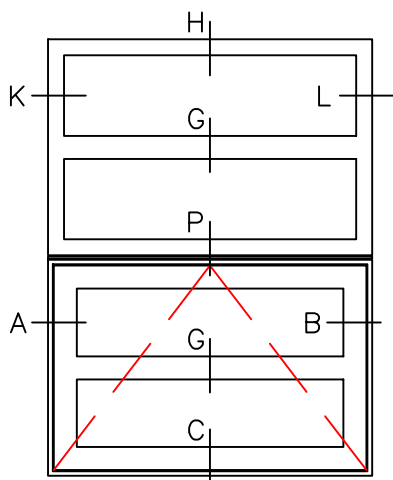
5500_22_PO_FX



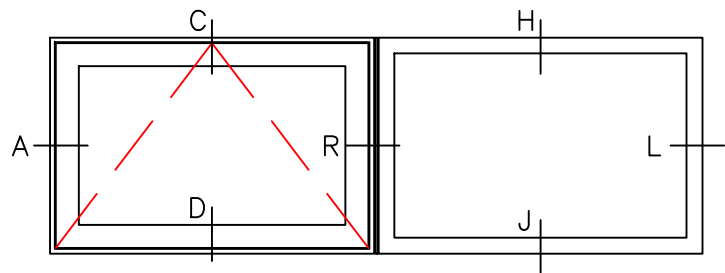
5500_22_PO_FX



5500_11_FX



5500_14_PO_FX

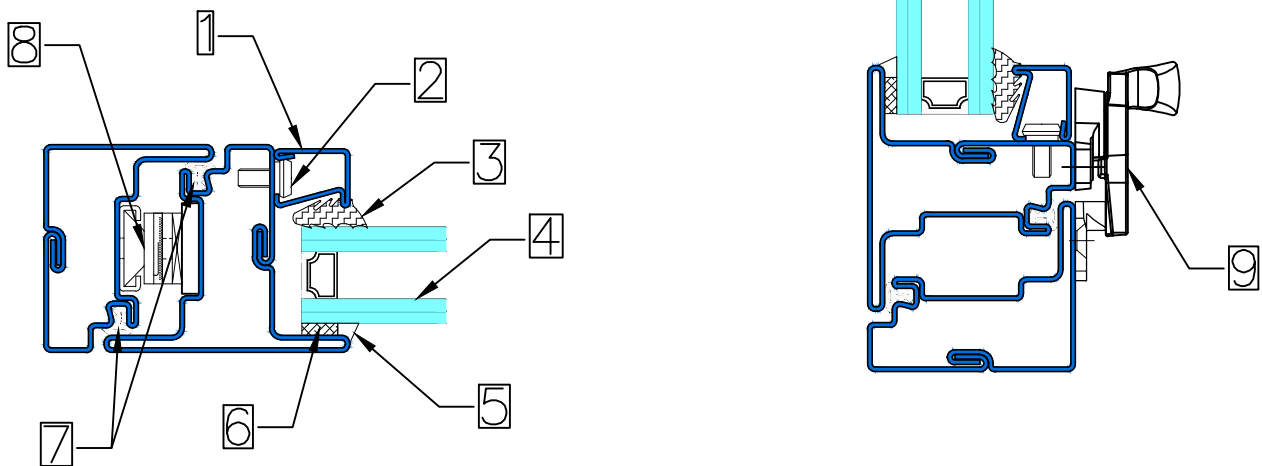


5500_21_PO_FX



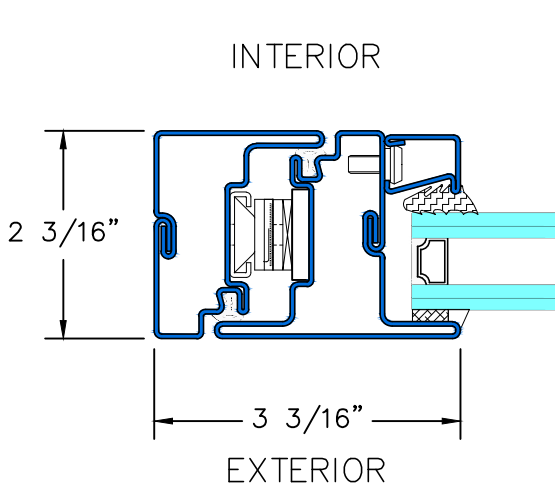
KEY (TYPICAL)

1. SNAP IN STEEL GLAZING BEAD
 2. SNAP FASTENER
 3. WEDGE GASKET
 4. GLASS AND GLAZING (BY OTHERS)
 5. SILICONE CAP BEAD (BY OTHERS)
 6. GLAZING TAPE (BY OTHERS)
 7. WEATHER STRIPPING (EXTRUDED EPM)
 8. STAINLESS STEEL 4-BAR HINGE
 9. WHITE BRONZE FLEX FASTENER WITH KEEPER
- *NOTE: BRONZE HARDWARE IS OWM'S STANDARD
OTHER FINISHES AVAILABLE

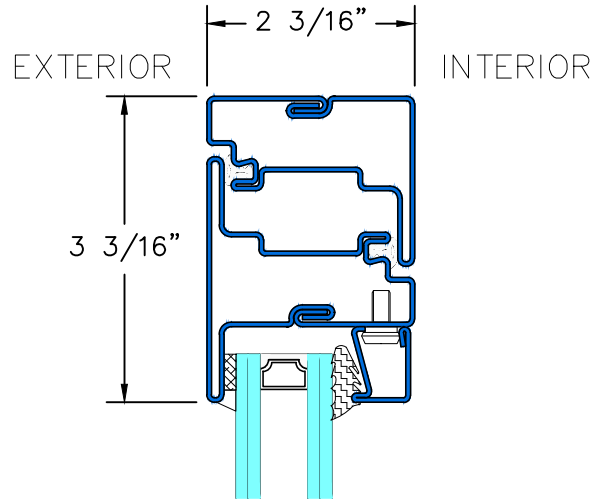


Typical Details

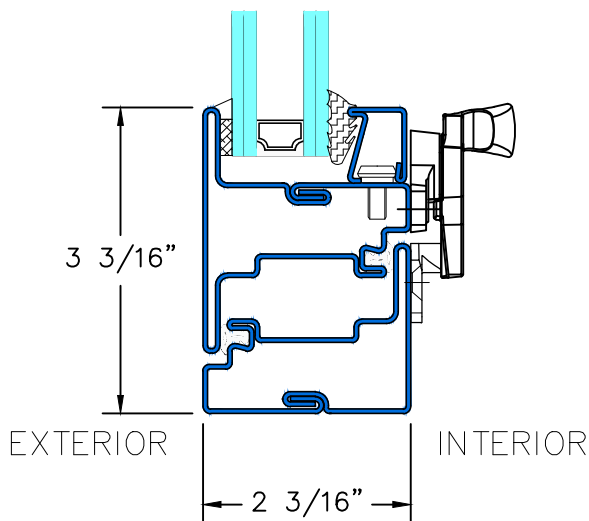
PROJECT OUT / FIXED
Scale: Half Scale



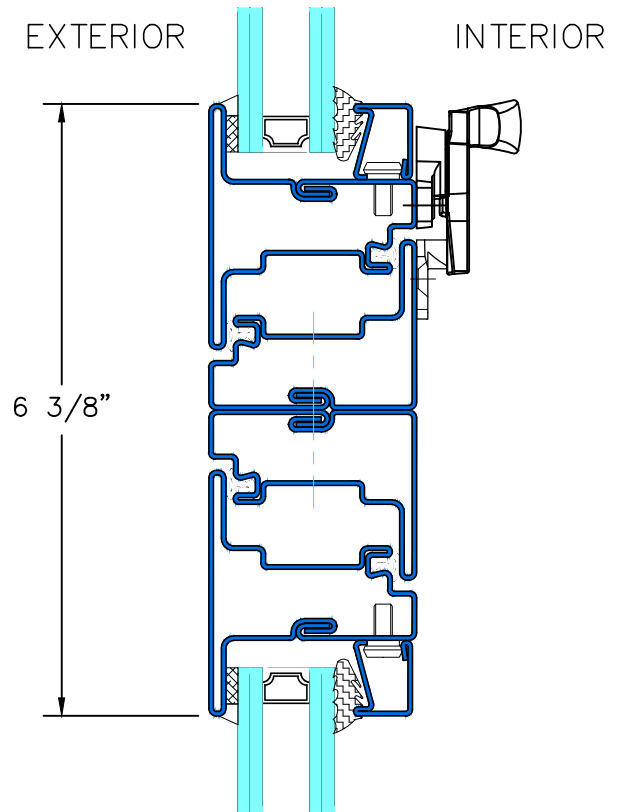
A&B TYPICAL HINGED JAMB



C TYPICAL HEAD



D TYPICAL SILL

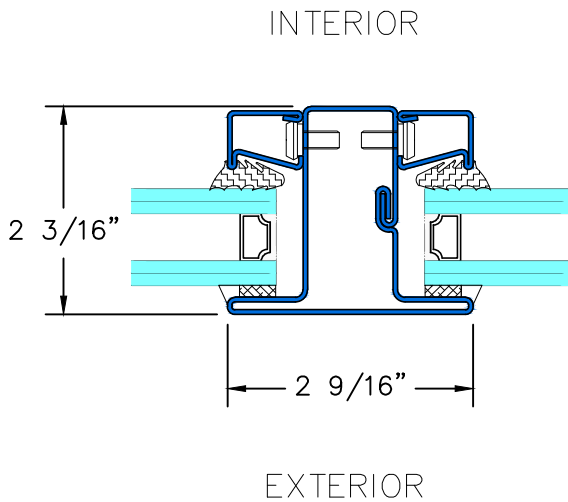


E TYPICAL STACKING JOINT

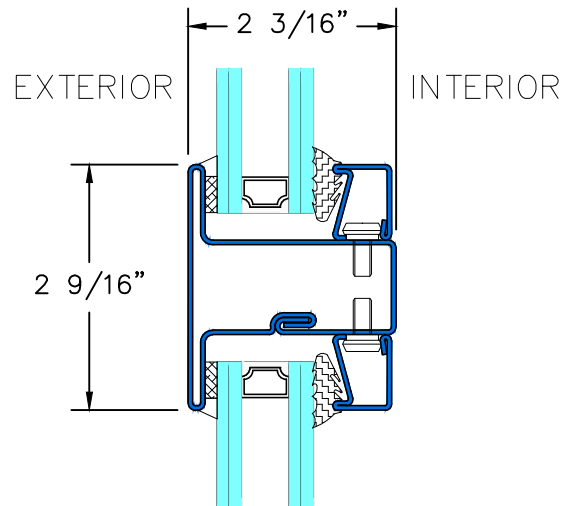


Typical Details

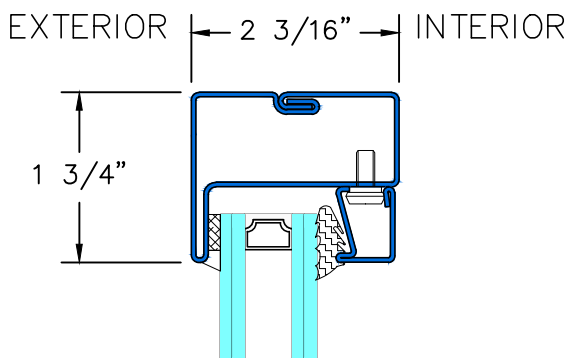
PROJECT OUT / FIXED
Scale: Half Scale



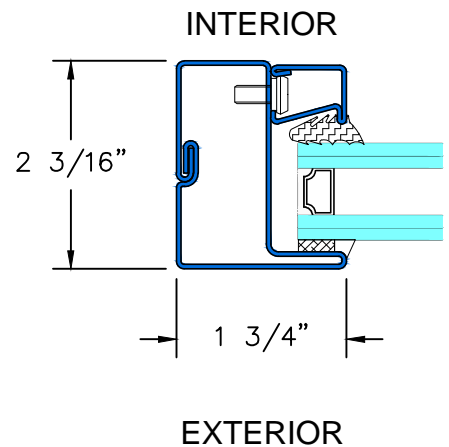
F TYPICAL VERTICAL MUNTIN



G TYPICAL HORIZONTAL MUNTIN



H&J TYPICAL FIXED HEAD & SILL



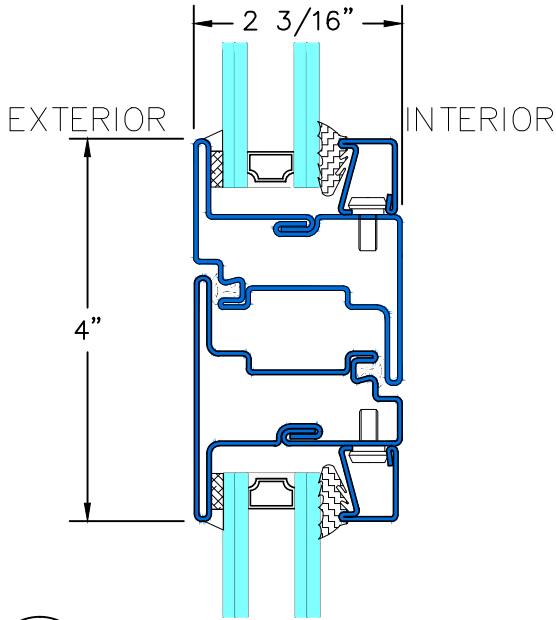
K&L TYPICAL FIXED JAMB



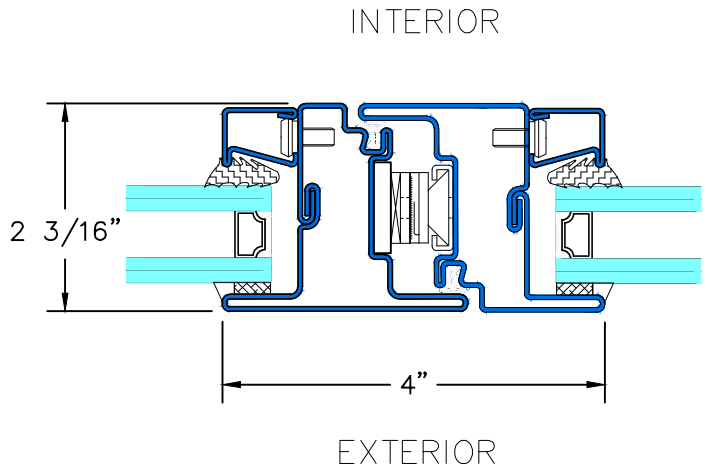
Typical Details

PROJECT OUT / FIXED

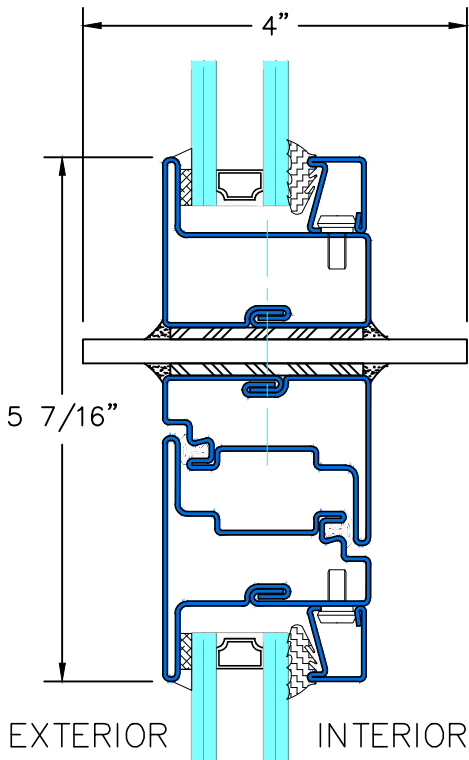
Scale: Half Scale



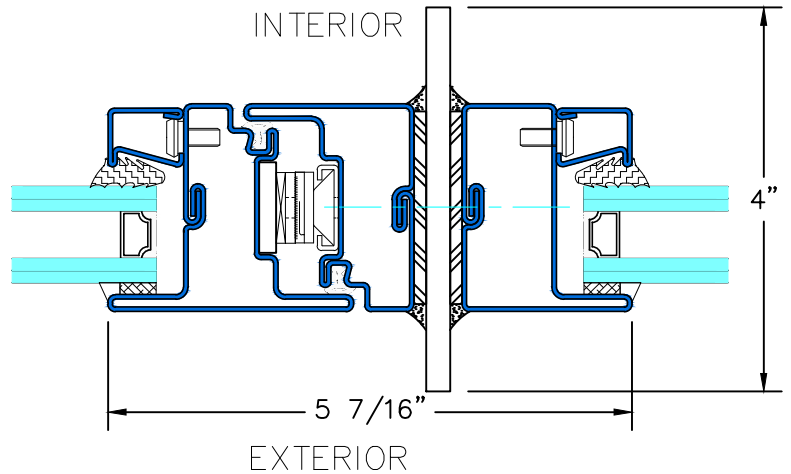
M TYPICAL HEAD W/ TRANSOM



N TYPICAL JAMB W/ SIDELITE



P TYPICAL STACKING MULLION



R TYPICAL JOINING MULLION

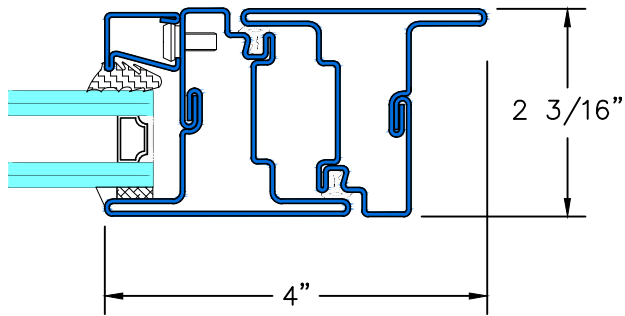


Typical Details

PROJECT OUT / FIXED
Scale: Half Scale

OPTIONAL FLANGE FRAME

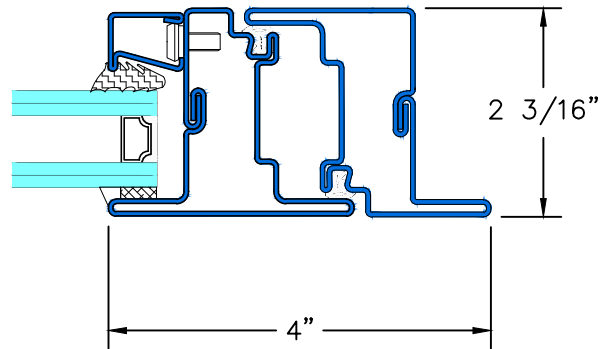
INTERIOR



EXTERIOR

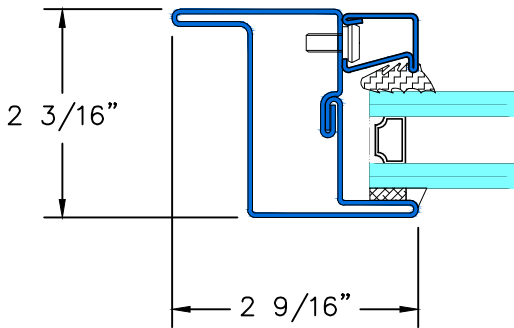
1 TYPICAL JAMB
INTERIOR FLANGE

INTERIOR



2 TYPICAL JAMB
EXTERIOR FLANGE

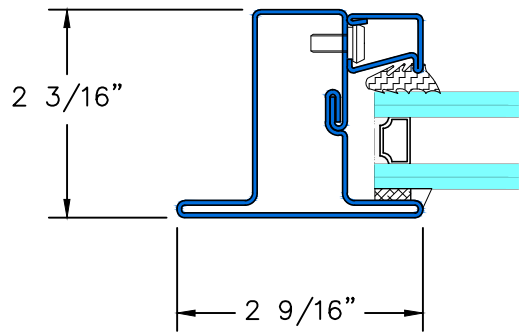
INTERIOR



EXTERIOR

3 TYPICAL FIXED
INTERIOR FLANGE

INTERIOR



EXTERIOR

3 TYPICAL FIXED
EXTERIOR FLANGE

