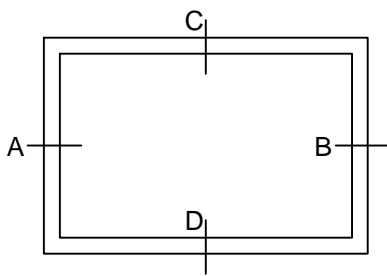


Typical Exterior Elevations

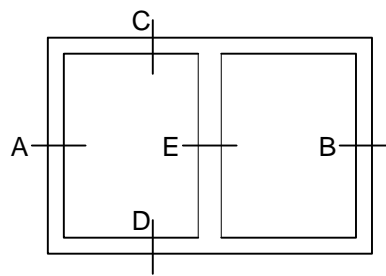
FIXED
Scale: Not To Scale

PAGE 1 OF 6

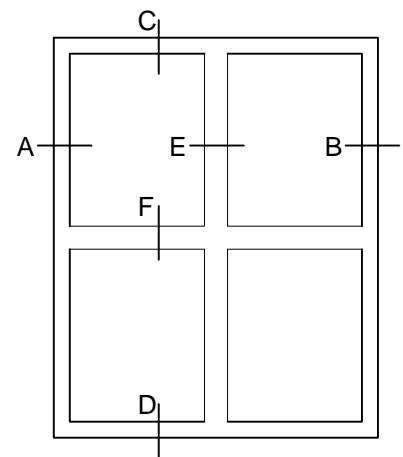
Thermally Broken
Cold Rolled Steel
Up To 1 1/4" Insulated Glass



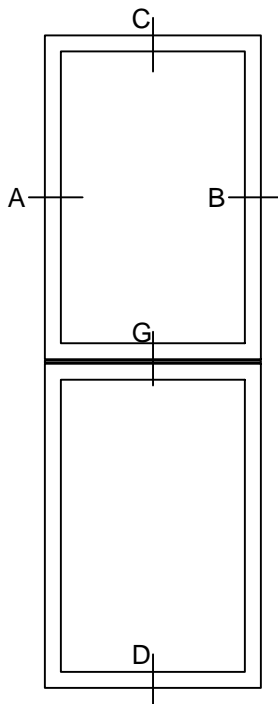
6511-FX



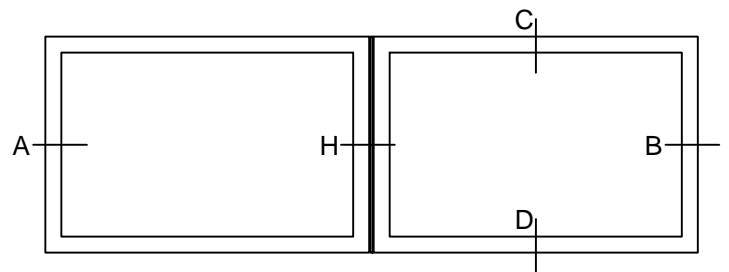
6521-FX



6522-FX



6512-FX-FX



6521-FX-FX



Typical Details

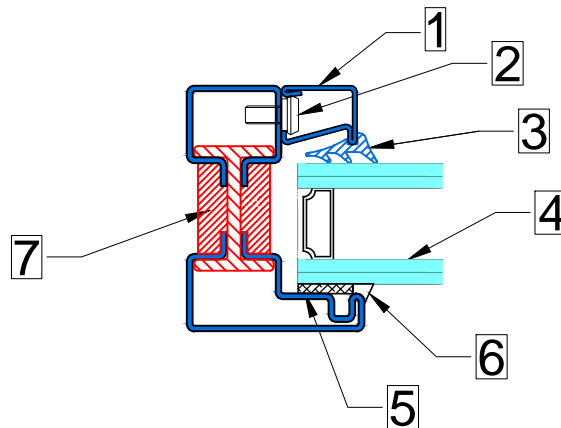
FIXED
Scale: Half Scale

PAGE 2 OF 6

Thermally Broken
Cold Rolled Steel
Up To 1 1/4" Insulated Glass

KEY (TYPICAL)

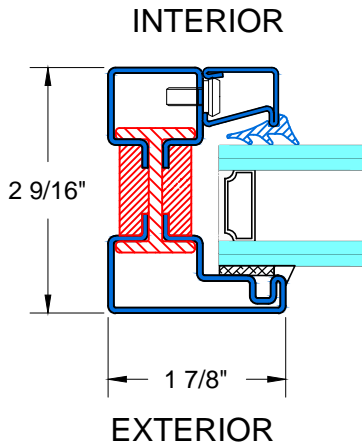
1. Snap in steel glazing bead (other options available)
2. Snap fastener
3. Extruded EPDM wedge gasket (by OWM)
4. Glass and glazing (by others)
5. Glazing tape (by others)
6. Silicone cap bead (by others)
7. Thermal break



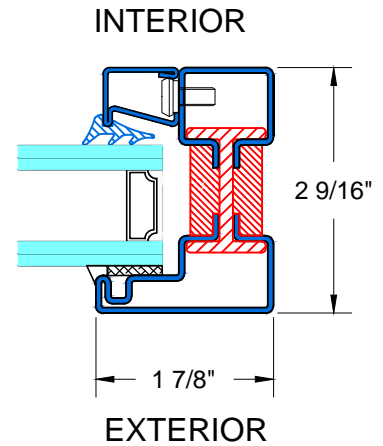
Typical Details

FIXED
Scale: Half Scale

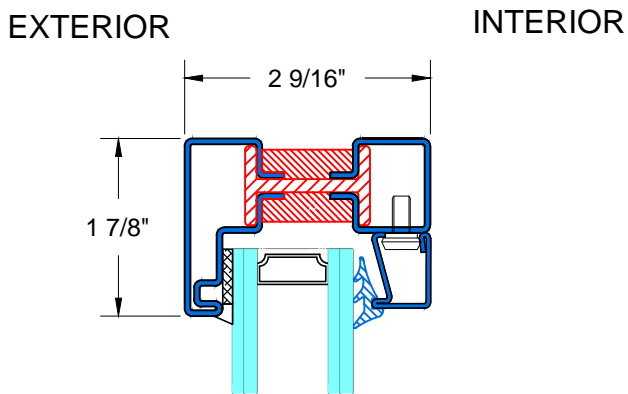
Thermally Broken
Cold Rolled Steel
Up To 1 1/4" Insulated Glass



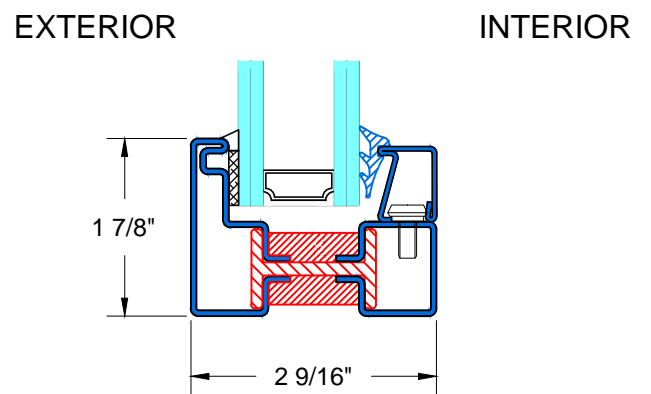
A TYPICAL LEFT JAMB



B TYPICAL RIGHT JAMB



C TYPICAL HEAD



D TYPICAL SILL

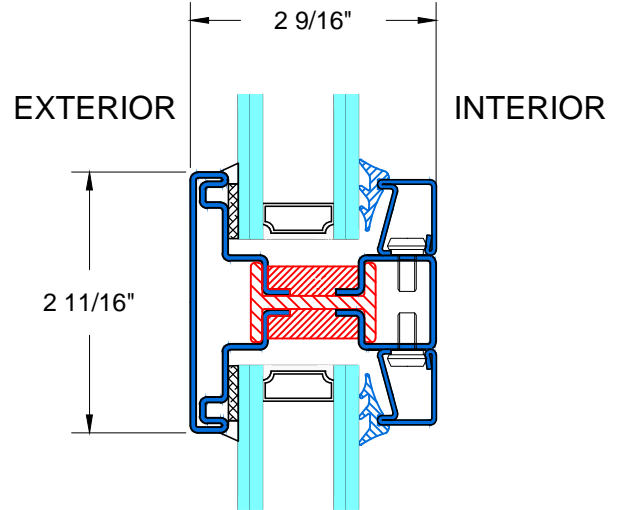
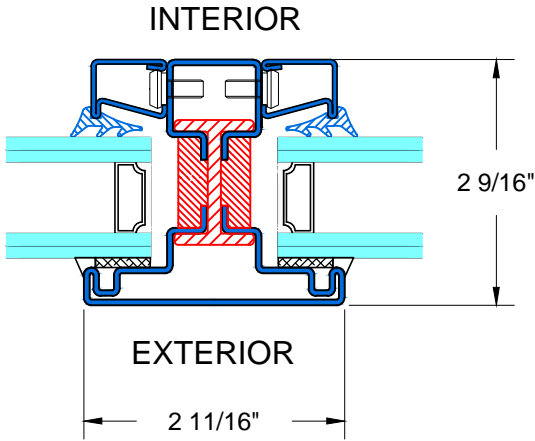


Typical Details

FIXED
Scale: Half Scale

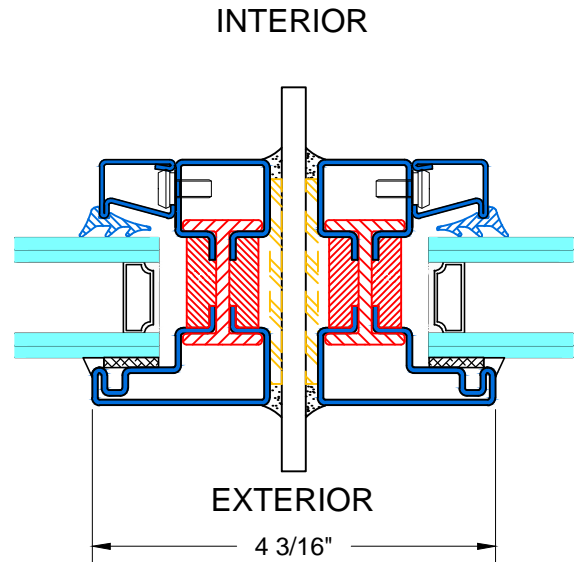
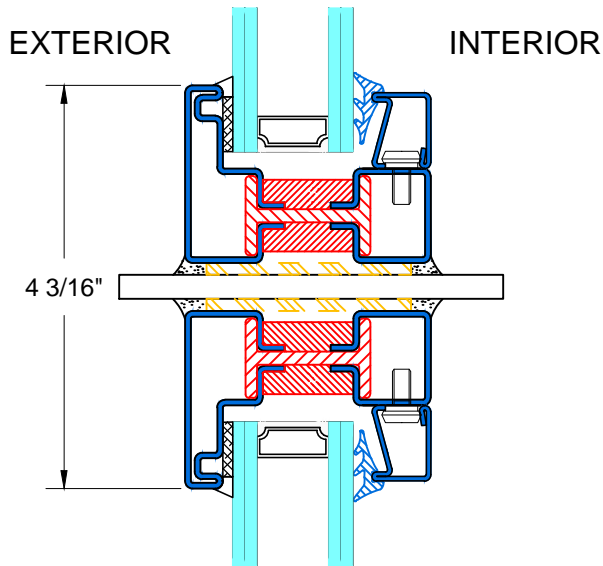
PAGE 4 OF 6

Thermally Broken
Cold Rolled Steel
Up To 1 1/4" Insulated Glass



E TYPICAL VERTICAL MUNTIN

F TYPICAL HORIZONTAL MUNTIN



G TYPICAL FIXED HEAD & SILL

H TYPICAL FIXED JAMB

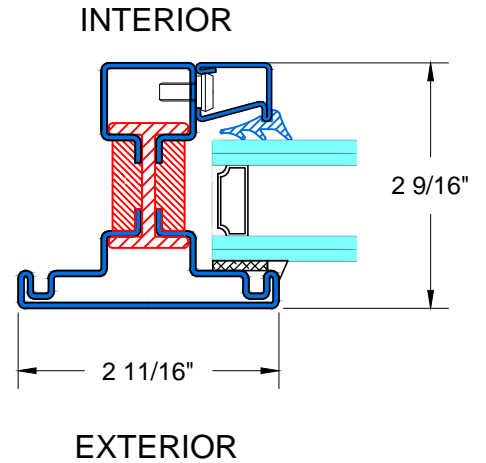
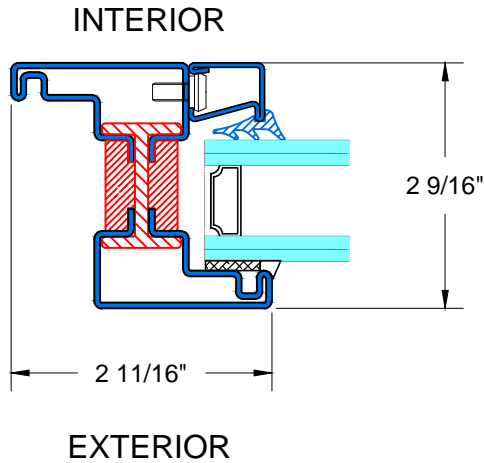


Typical Details

FIXED
Scale: Half Scale

PAGE 5 OF 6

Thermally Broken
Cold Rolled Steel
Up To 1 1/4" Insulated Glass

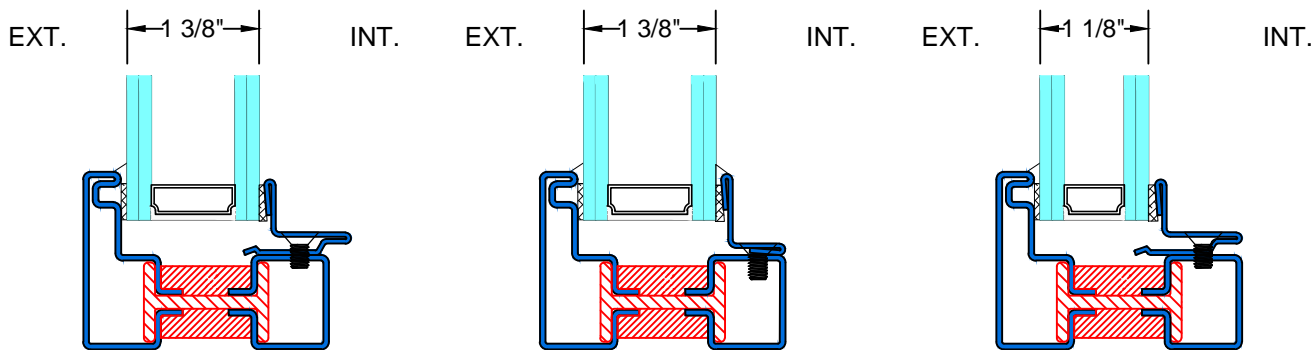


1 TYPICAL FIXED
INTERIOR FLANGE

2 TYPICAL FIXED
EXTERIOR FLANGE

Scale: 1:2

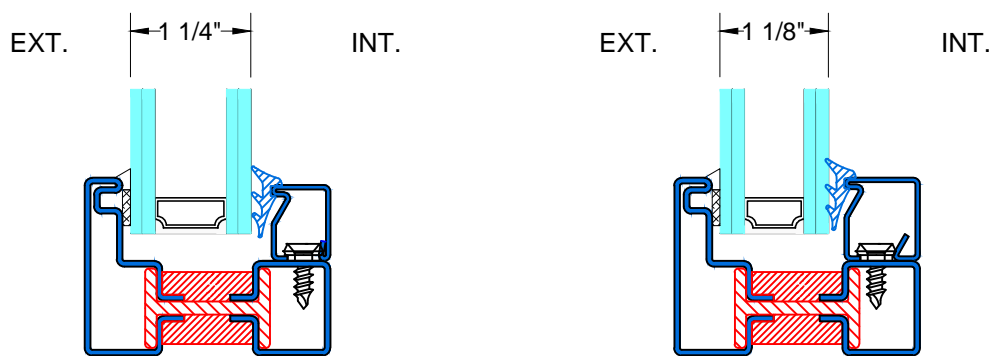
INTERIOR GLAZING



GB-2038
GLAZING BEAD

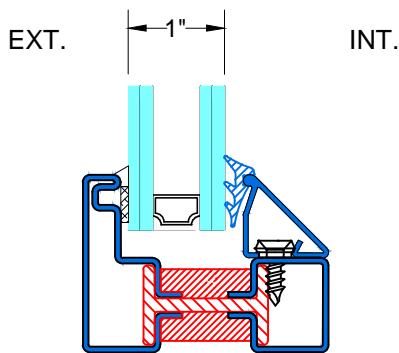
GB-2040
GLAZING BEAD

GB-2038
GLAZING BEAD



GB-2007
GLAZING BEAD

GB-1007
GLAZING BEAD



GB-1015
GLAZING BEAD

