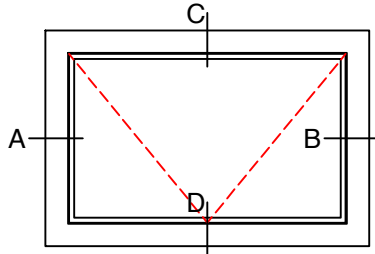


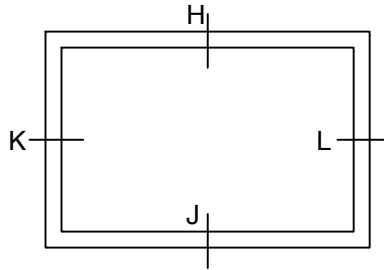
Typical Exterior Elevations

PROJECT IN / FIXED
Scale: Not To Scale

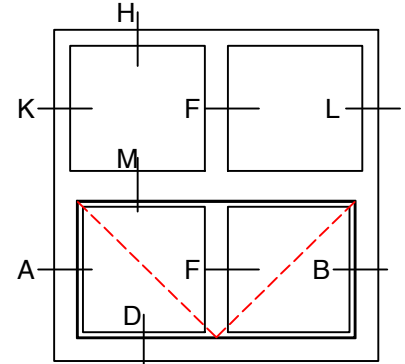
Thermally Broken
Cold Rolled Steel
Up To 1" Insulated Glass



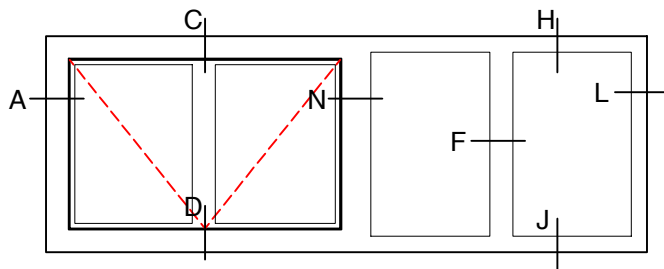
6511-PI



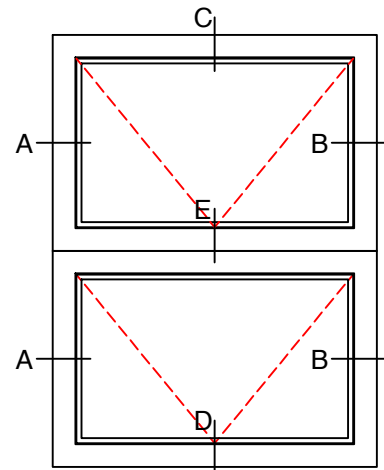
6511-FX



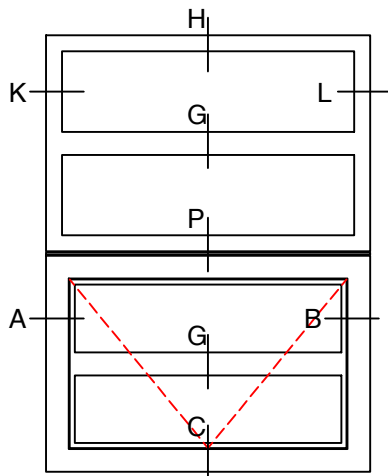
6522-PI-FX



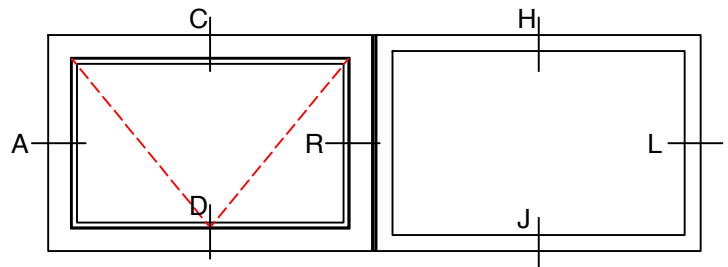
6541-PI-FX



6512-PI-PI



6514-PI-FX



6521-PI-FX



Typical Details

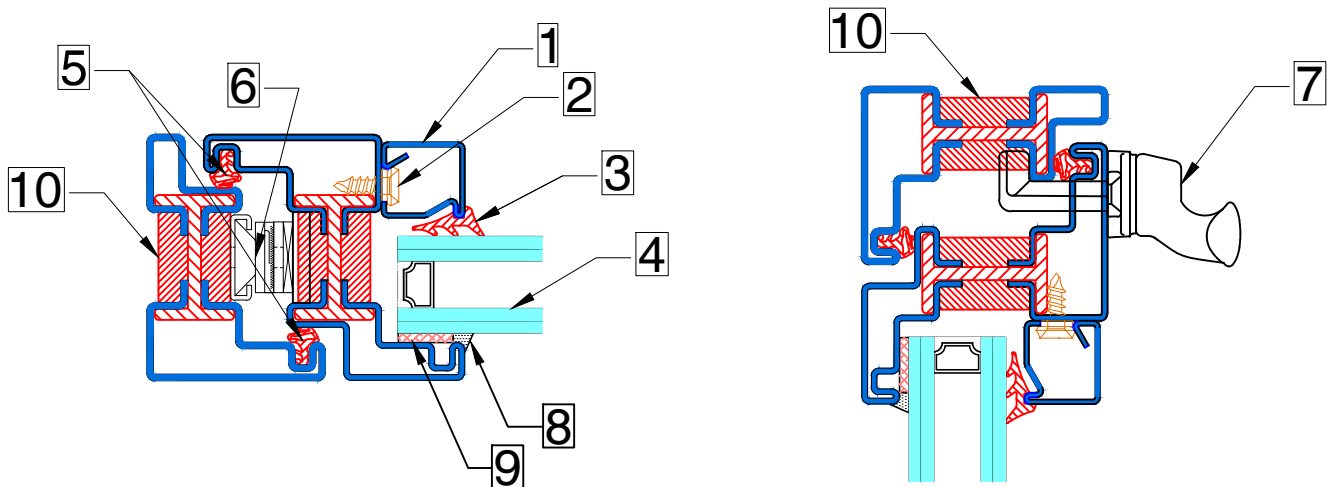
PROJECT IN / FIXED
Scale: Half Scale

Thermally Broken
Cold Rolled Steel
Up To 1" Insulated Glass

PAGE 2 OF 6

KEY (TYPICAL)

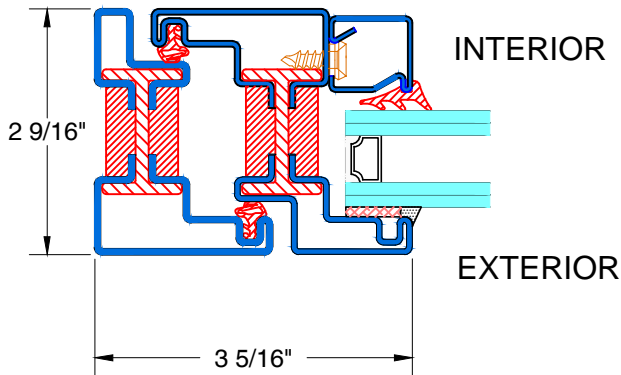
1. SNAP IN STEEL GLAZING BEAD
 2. SNAP FASTENER
 3. WEDGE GASKET
 4. GLASS AND GLAZING (BY OTHERS)
 5. WEATHER STRIPPING (EXTRUDED EPM)
 6. STAINLESS STEEL 4 BAR HINGE
 7. WHITE BRONZE PROJECT IN FASTENER WITH KEEPER
- *NOTE: BRONZE HARDWARE IS OWM'S STANDARD
(OTHER FINISHES AVAILABLE)
8. SILICONE CAP BEAD (BY OTHERS)
 9. GLAZING TAPE (BY OTHERS)
 10. THERMAL BREAK



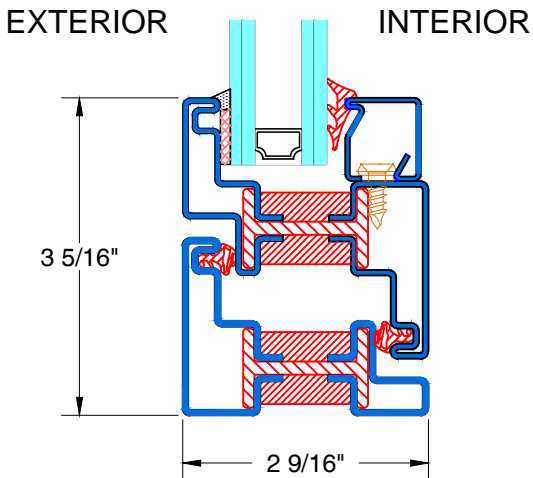
Typical Details

PROJECT IN / FIXED
Scale: Half Scale

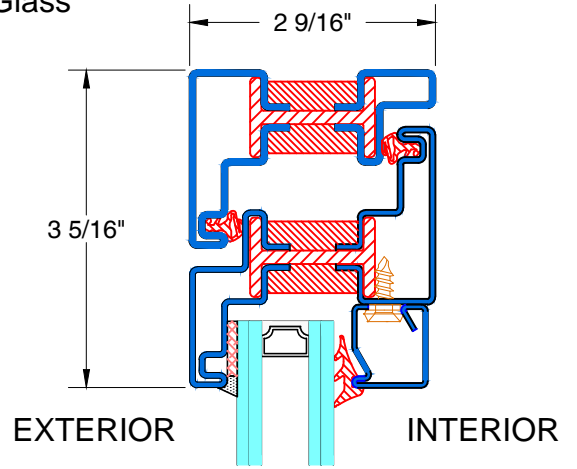
Thermally Broken
Cold Rolled Steel
Up To 1" Insulated Glass



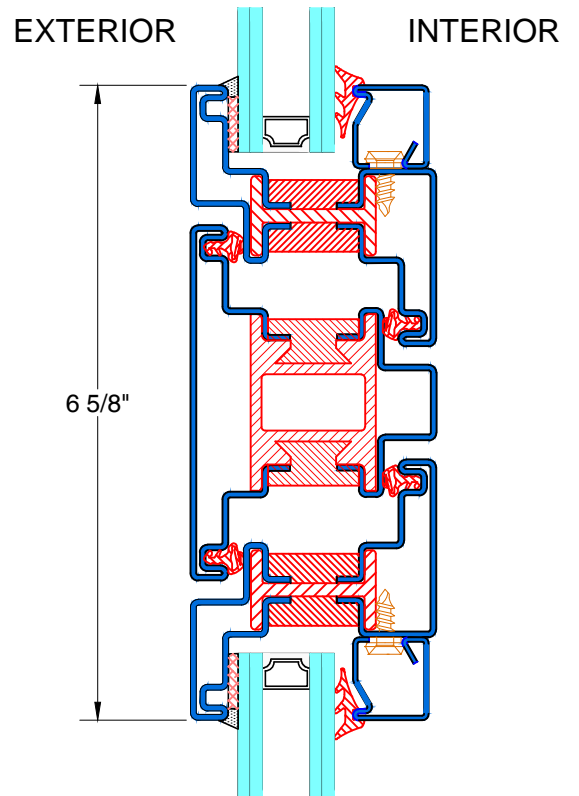
A&B TYPICAL HINGED JAMB



D TYPICAL MEETING RAIL



C TYPICAL HEAD



E TYPICAL FRENCH MEETING RAIL

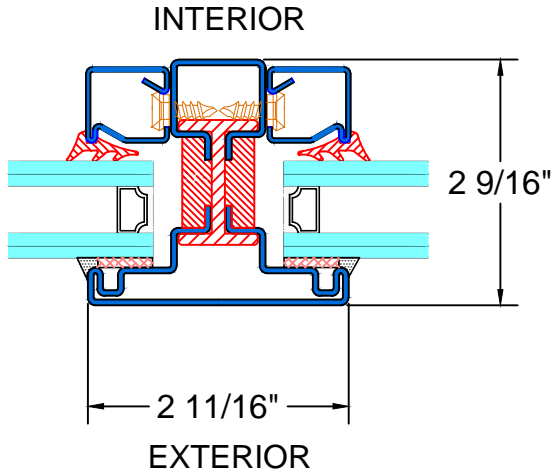


Typical Details

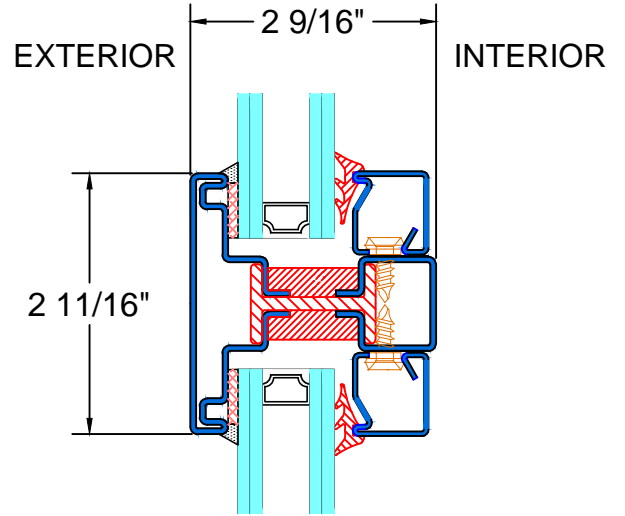
PROJECT IN / FIXED
Scale: Half Scale

Thermally Broken
Cold Rolled Steel
Up To 1" Insulated Glass

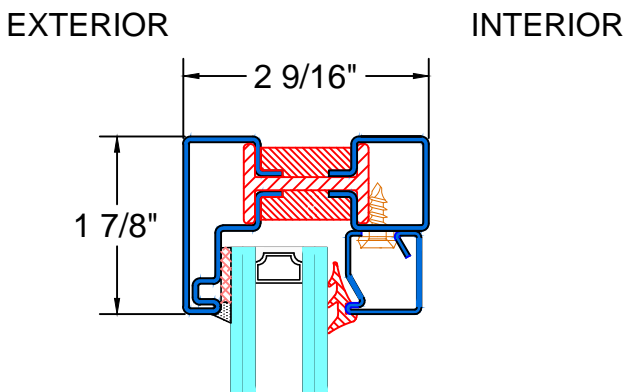
PAGE 4 OF 6



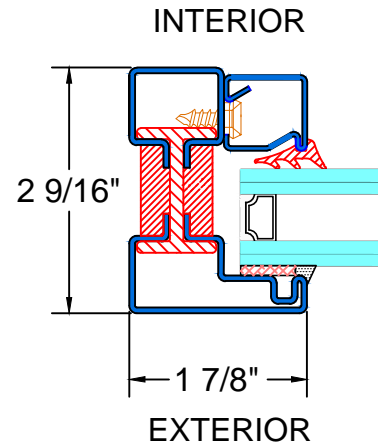
F TYPICAL VERTICAL MUNTIN



G TYPICAL HORIZONTAL MUNTIN



H&J TYPICAL FIXED HEAD & SILL



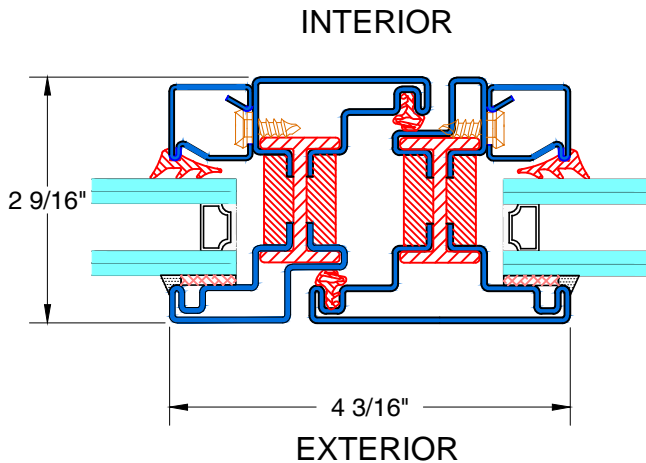
K&L TYPICAL FIXED JAMB



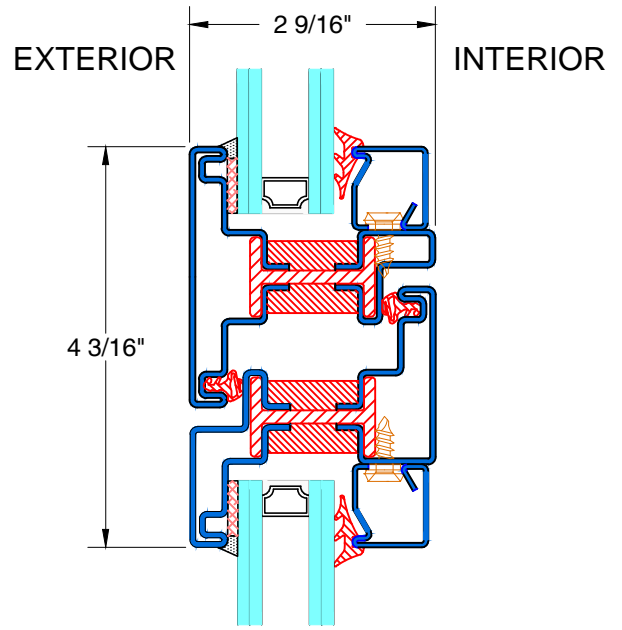
Typical Details

PROJECT IN / FIXED
Scale: Half Scale

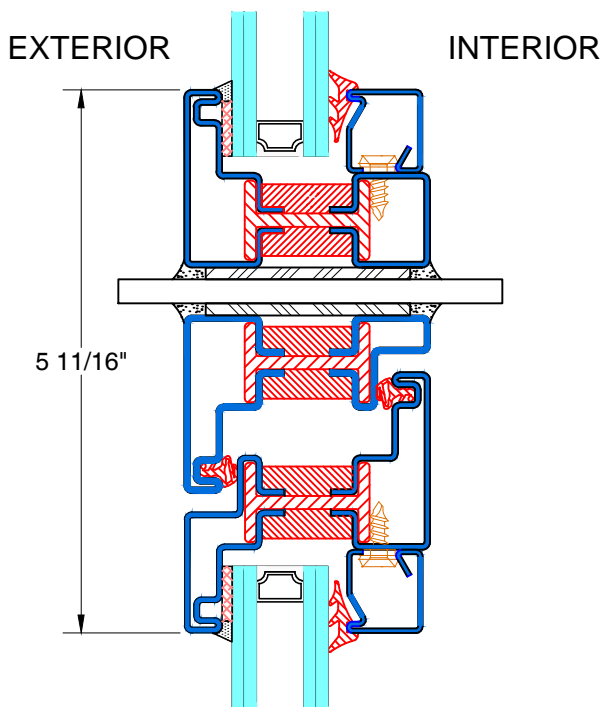
Thermally Broken
Cold Rolled Steel
Up To 1" Insulated Glass



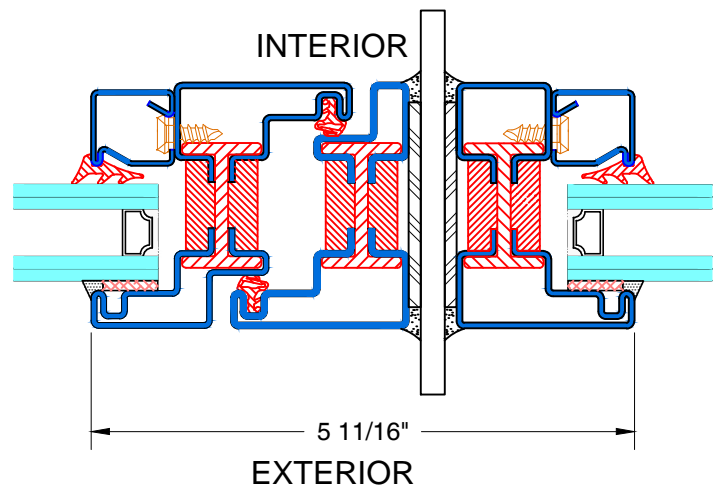
M TYPICAL JAMB WITH SIDELITE



N TYPICAL HEAD WITH TRANSOM



P TYPICAL STACKING MULLION



R TYPICAL JOINING MULLION

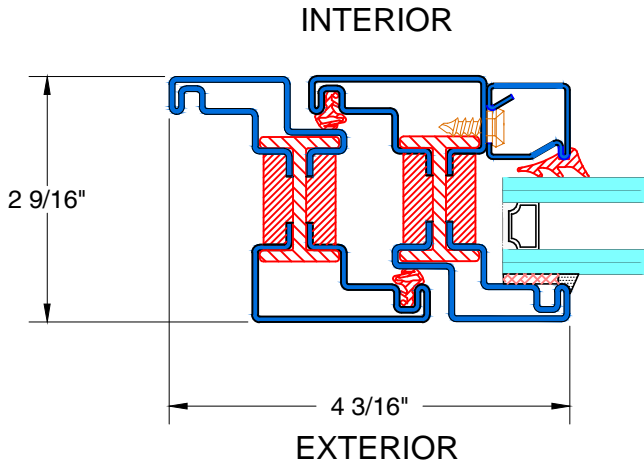


Typical Details

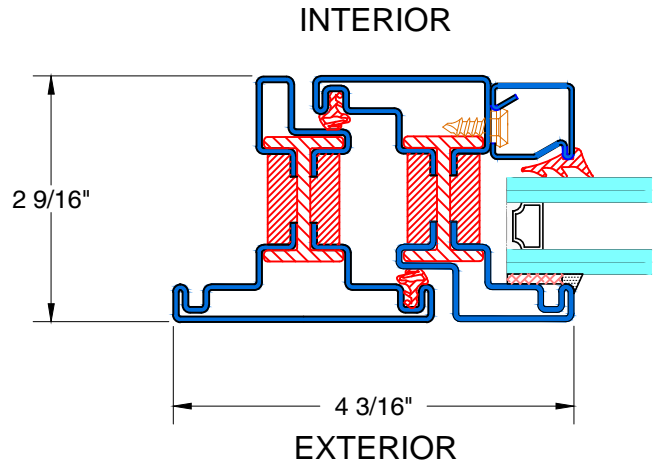
PROJECT IN / FIXED
Scale: Half Scale

Thermally Broken
Cold Rolled Steel
Up To 1" Insulated Glass

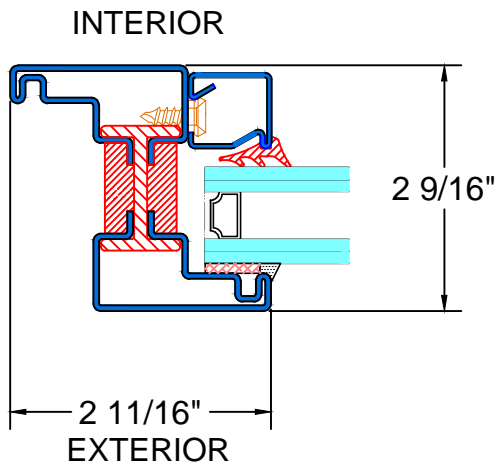
OPTIONAL FLANGE FRAMES



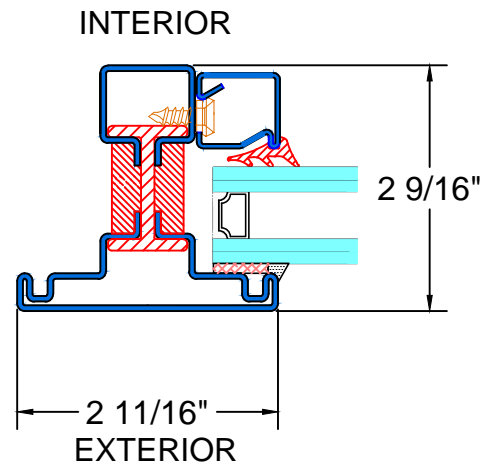
1 TYPICAL JAMB
INTERIOR FLANGE



2 TYPICAL JAMB
EXTERIOR FLANGE



3 TYPICAL FIXED
INTERIOR FLANGE



4 TYPICAL FIXED
EXTERIOR FLANGE

