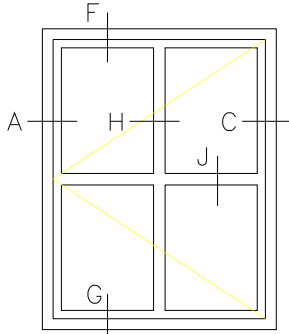


# RELIANT HR4500-IC<sub>SERIES</sub>

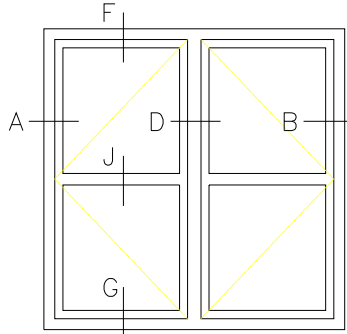
## Typical Exterior Elevations

INSWING CASEMENTS / FIXED  
Scale: Not To Scale

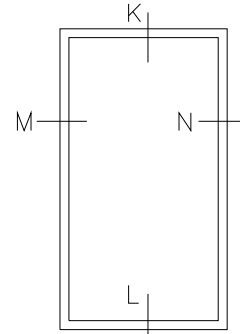
PAGE 1 OF 8



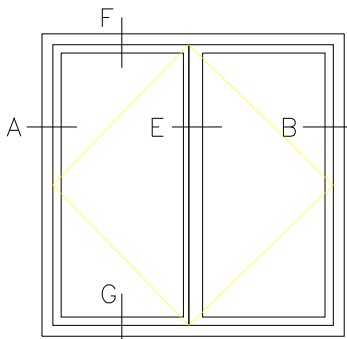
HR4522-IC



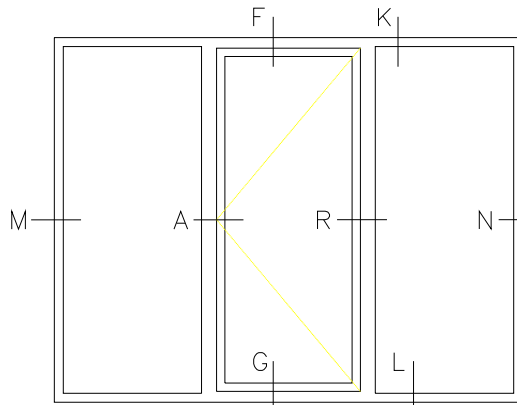
HR4522-DB-IC



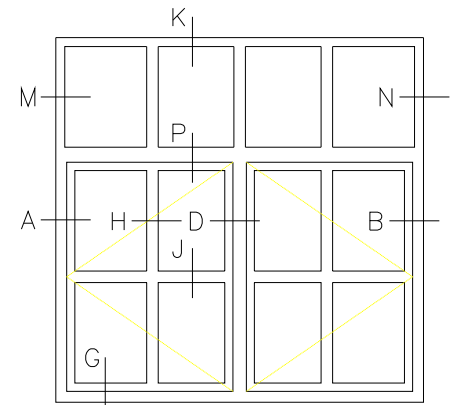
HR4511-FX



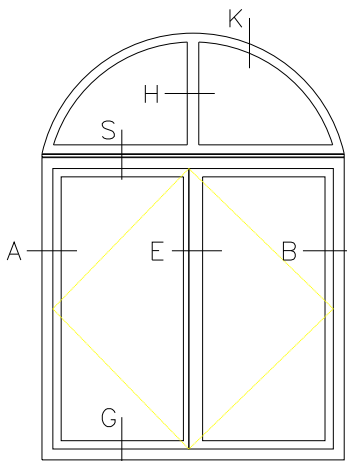
HR4521-FR-IC



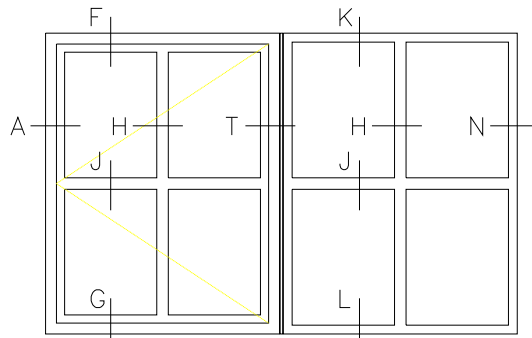
HR4531-IC-FX



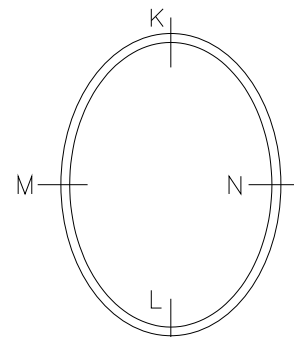
HR4543-DB-IC-FX



HR4522-FR-IC-FX-ARCH



HR4542-IC-FX



HR4511-FX-OVAL



OPTIMUM  
WINDOW

28 Canal Street, Ellenville, NY 12428  
Phone (845) 647-1900

HR4500 2018

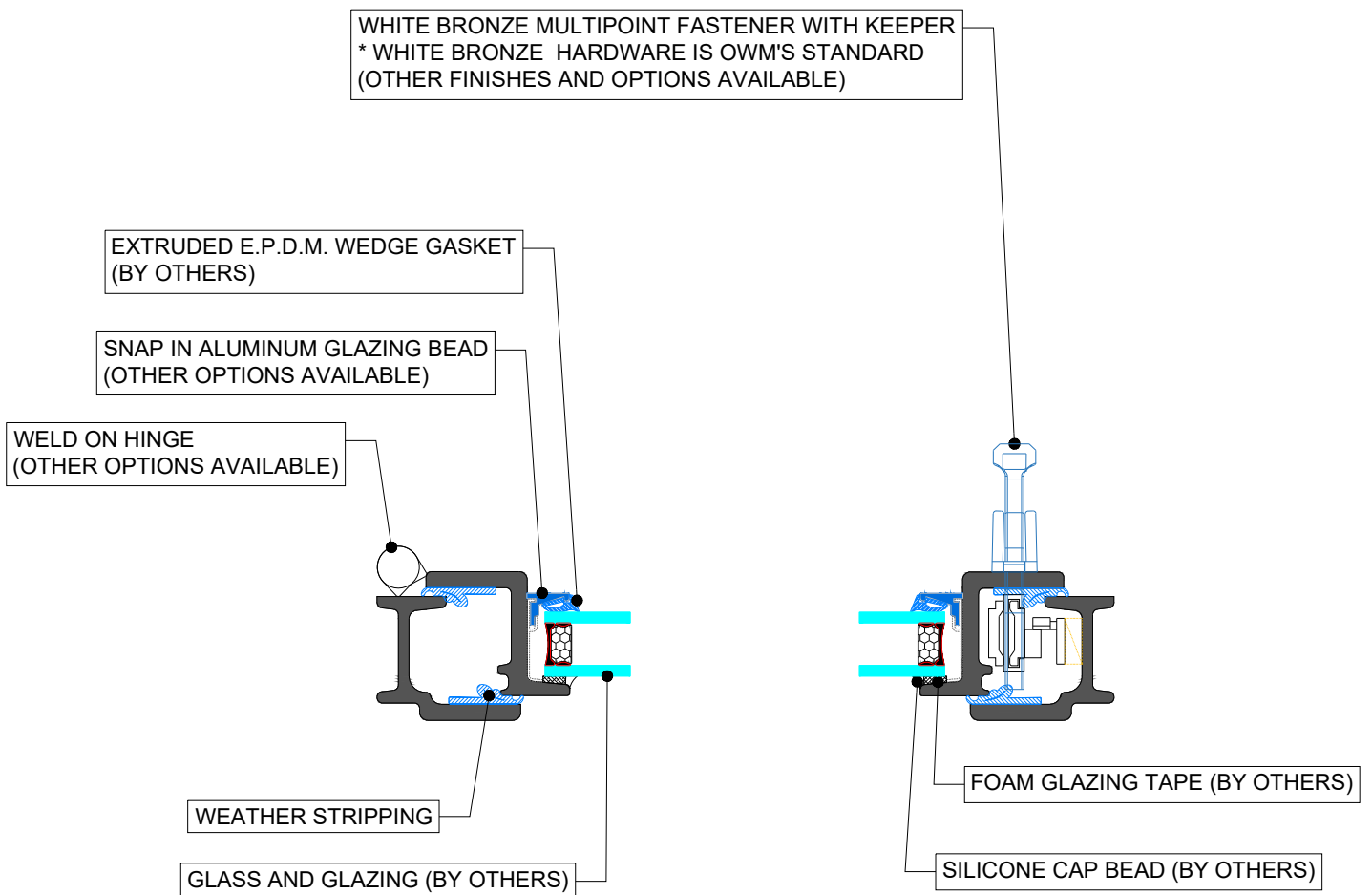
# RELIANT HR4500-IC<sub>SERIES</sub>

## Typical Details

INSWING CASEMENTS / FIXED

Scale: Half Scale

PAGE 2 OF 8



28 Canal Street, Ellenville, NY 12428  
Phone (845) 647-1900

HR4500 2018

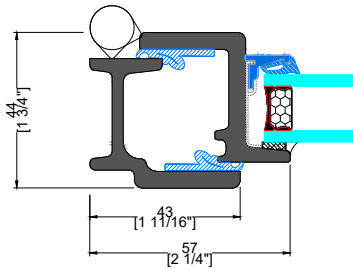
# RELIANT HR4500-IC<sub>SERIES</sub>

## Typical Details

INSWING CASEMENTS / FIXED  
Scale: Half Scale

PAGE 3 OF 8

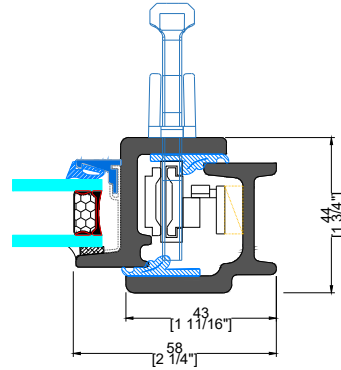
INTERIOR



EXTERIOR

**A&B** TYPICAL HINGED JAMB

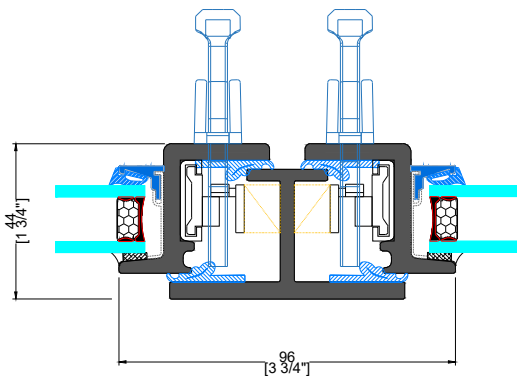
INTERIOR



EXTERIOR

**C** TYPICAL LOCKING JAMB

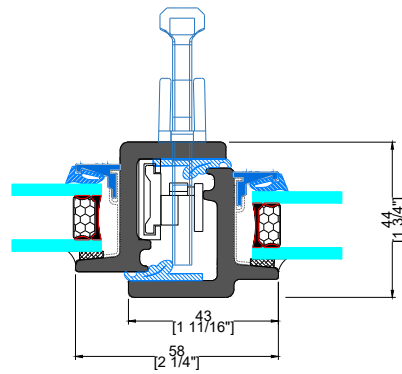
INTERIOR



EXTERIOR

**D** TYPICAL DOUBLE MEETING RAIL

INTERIOR



EXTERIOR

**E** TYPICAL FRENCH MEETING RAIL



28 Canal Street, Ellenville, NY 12428  
Phone (845) 647-1900

HR4500 2018

# RELIANT HR4500-IC<sub>SERIES</sub>

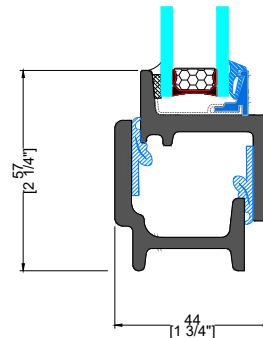
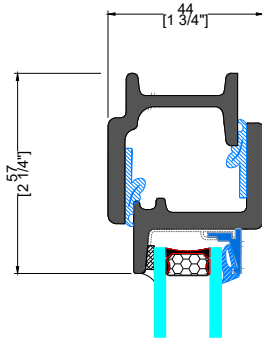
## Typical Details

INSWING CASEMENTS / FIXED  
Scale: Half Scale

PAGE 4 OF 8

EXTERIOR

INTERIOR



EXTERIOR

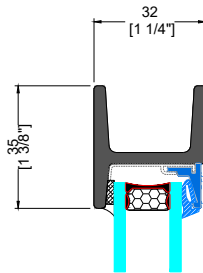
INTERIOR

**F** TYPICAL HEAD

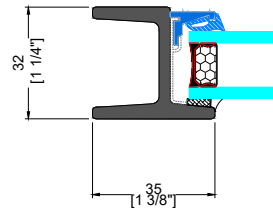
**G** TYPICAL SILL

EXTERIOR

INTERIOR



INTERIOR



EXTERIOR

**K&L** TYPICAL FIXED HEAD & SILL

**M&N** TYPICAL FIXED JAMB



28 Canal Street, Ellenville, NY 12428  
Phone (845) 647-1900

HR4500 2018

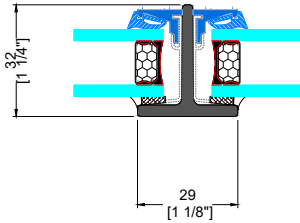
# RELIANT HR4500-IC<sub>SERIES</sub>

## Typical Details

INSWING CASEMENTS / FIXED  
Scale: Half Scale

PAGE 5 OF 8

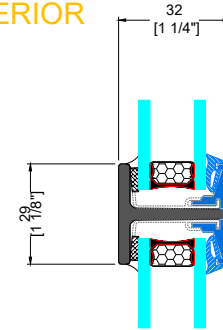
INTERIOR



EXTERIOR

**H** TYPICAL  
VERTICAL MUNTIN

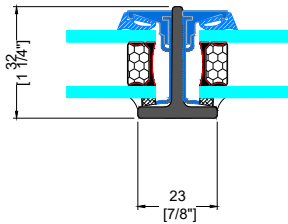
EXTERIOR



INTERIOR

**J** TYPICAL  
HORIZONTAL MUNTIN

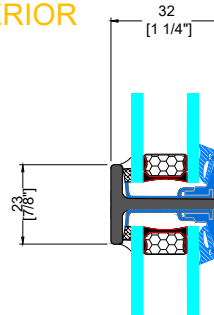
INTERIOR



EXTERIOR

**E** SMALL  
VERTICAL MUNTIN

EXTERIOR



INTERIOR

**F** SMALL  
HORIZONTAL MUNTIN



28 Canal Street, Ellenville, NY 12428  
Phone (845) 647-1900

HR4500 2018

# RELIANT HR4500-IC<sub>SERIES</sub>

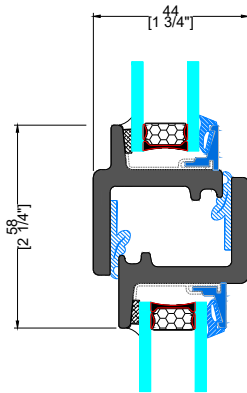
## Typical Details

INSWING CASEMENTS / FIXED  
Scale: Half Scale

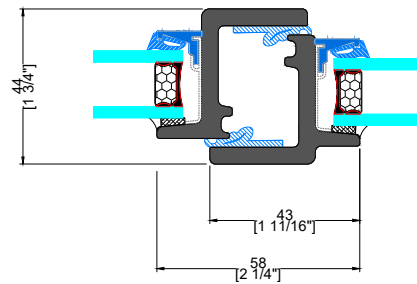
PAGE 6 OF 8

EXTERIOR

INTERIOR



INTERIOR

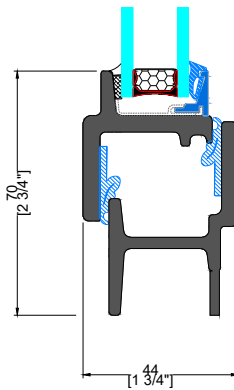


EXTERIOR

**P** TYPICAL HEAD  
W/ TRANSOM

**R** TYPICAL JAMB  
W/ SIDELITE

INTERIOR



EXTERIOR

**1** TYPICAL  
LONG LEG FRAME



28 Canal Street, Ellenville, NY 12428  
Phone (845) 647-1900

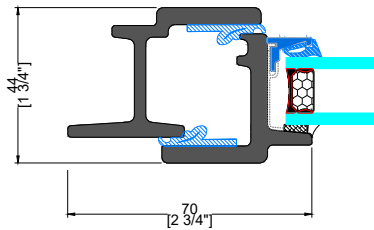
# RELIANT HR4500-IC<sub>SERIES</sub>

## Typical Details

INSWING CASEMENTS / FIXED  
Scale: Half Scale

PAGE 7 OF 8

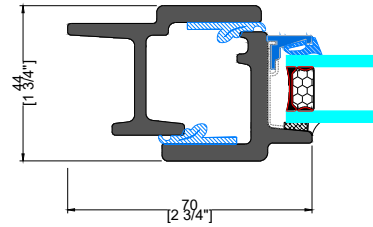
INTERIOR



EXTERIOR

**1** TYPICAL JAMB  
EXTERIOR FLANGE

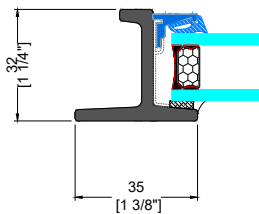
INTERIOR



EXTERIOR

**2** TYPICAL JAMB  
INTERIOR FLANGE

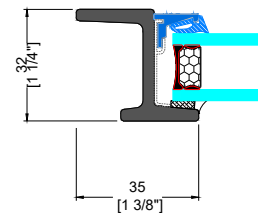
INTERIOR



EXTERIOR

**3** TYPICAL FIXED  
EXTERIOR FLANGE

INTERIOR



EXTERIOR

**4** TYPICAL FIXED  
INTERIOR FLANGE



28 Canal Street, Ellenville, NY 12428  
Phone (845) 647-1900

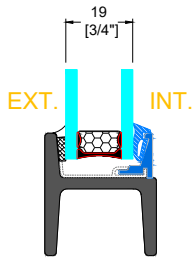
HR4500 2018

# RELIANT HR4500-IC<sub>SERIES</sub>

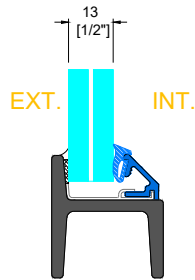
## GLAZING OPTIONS

SCALE: 1:2

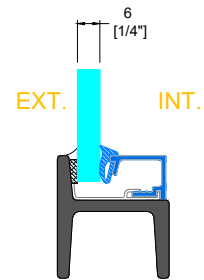
PAGE 8 OF 8



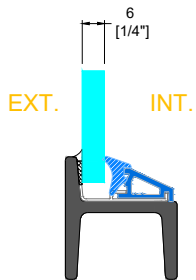
GB-05  
GLAZING BEAD



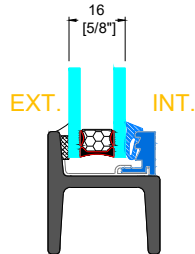
GB-04  
GLAZING BEAD



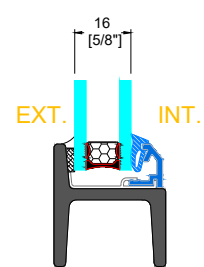
GB-06  
GLAZING BEAD



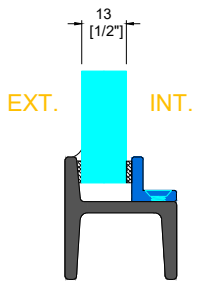
GB-16  
GLAZING BEAD



GB-13  
GLAZING BEAD



GB-12  
GLAZING BEAD



GB-18X  
GLAZING BEAD



28 Canal Street, Ellenville, NY 12428  
Phone (845) 647-1900

HR4500 2018